

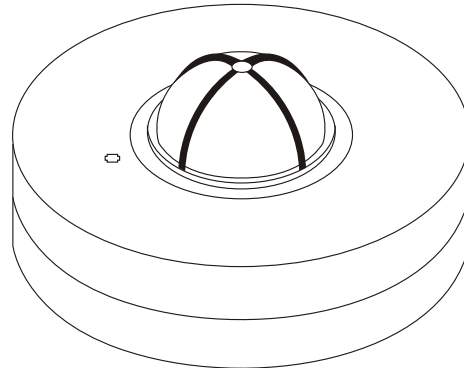
DPS28B Infrared Sensor

Instruction

The product is the new saving-energy switch adopted the good sensitivity detector, integrated circuit and SMT. It gathers automatism, convenient safe, saving-energy and practical functions. Three detectors inside compose a wide range detection field, they utilize the infrared energy from human as control-signal source to start the load at once when human enter detection field. And they can identify day and night automatically. It is easy to install and used widely, possessing the power show and detecting show functions.

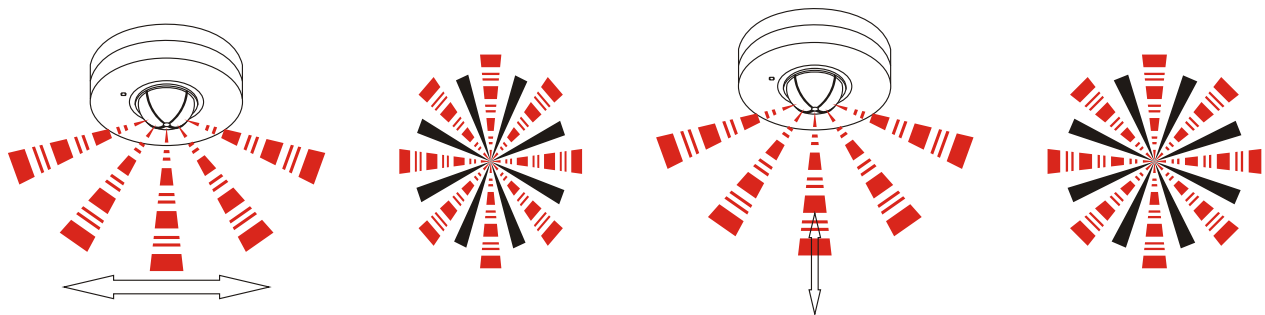
Specification:

Power source: 220V/AC-240V/AC
100V/AC-130V/AC
Power frequency: 50-60HZ
Time _delay: min: 8+/-3sec
max: 7+/-2min
Detection angle: 360°
Ambient light: <3LUX-daylight
Working temperature: -20-40°C
Detection distance: 12m max(<24°C)
Rated load: 1200W (220-240V/AC)
800W (110V/AC)
3000W(220-240V/AC) 1500W (110V/AC)
Power consumption: 0.45W(static 0.1W)
Installation height: 1.5-3.5m
Detection motion speed: 0.6-1.5m/s
Working humidity: <93%RH
Switch Function: Auto/Off/Manual Override



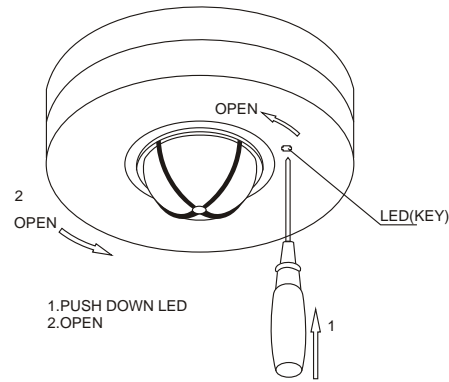
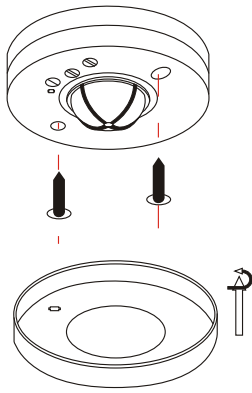
Function:

- Identify day and night automatically. Can adjust ambient light according to your desire: when turn to SUN (max), it will work day and night. When turn to MOON (min), it will only work under less than 3LUX circumstance. As for Adjustment, please refer to testing.
- Detection distance can be set according to installation position and detection field.
- The power show and detection show: they will flash one time each 4 seconds after putting through the power, and flash two times per second when receiving the signal. At the same time, it shows the sensor in the normal conditions for detection.
- Time-delay added continually: when it received the second induction signal after the first inductor, you should compute time once more on the rest of the first time-delay basic. (Set time)
- Time-delay adjustment: it can be set according to your desire. The minimum is 8+/-3 sec; the maximum is 7+/- 1min.
- Locking function: during working, sensor will keep load lighting when power is shutted off 2 seconds and then on. And shut off the power for 4 seconds and then on, sensor will resume automation.



Installation:

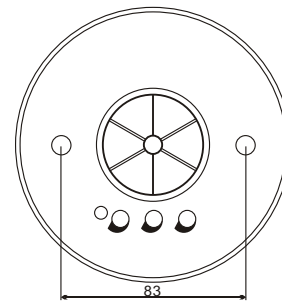
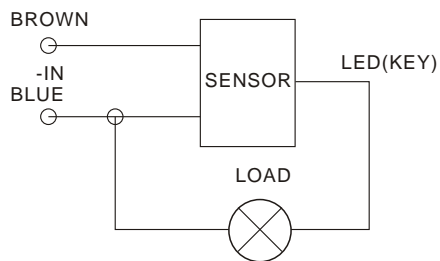
- Switch off the power:
- Push down LED according to the sketch map in packing, take down the top cover by anti-clockwise turn.
- The sensor is fixed on the selected position with the inflated screw:
- Connect the power and the load into the connection-wire column according to the sketch map.
- Put the top cover on the sensor, turn it in anti-clockwise and you will hear “bong ” , so you can test it.



Test:

Turns the light-control knob in clockwise to the maximum (SUN). Turns time knob in anti-clockwise to the minimum. At the time of your switching on the power, the load doesn't work and the show lamp flashes one time in 1 sec. After 5-10 sec, the load works and the indicator lamp flashes two times in 1 sec. Under the no induction conditions, the load should stop working within 5-30 sec, and the show lamp should get back to flash one time in 4 sec; If it detects again 5-10 seconds later since first is out, load should work and the flashing speed is two times per second, then load will stop working in 5-15 seconds.

Turns LUX knob in anti-clockwise to the minimum. If it is tested under the circumstance less than 3LUX, load should not work after induction load stop working; but if you cover the detection window with the opaque object (towel etc), the load works. Under the no induction signals conditions, the load should stop working within 5-15 secretary.



Note:

- Should be installed by electrician or skilled man.
- Avoid installing on the unrest objects
- Hindrance and moving object should not hide in front of the detection window
- Avoid installing it near air temperature alteration zones such as air condition, central heating, etc.
- Considering your safety, please don't open the cover when you find the hitch after installation.
- If there is different between product and instruction, please refer to product mainly.

Problem and solutions:

The load don't work:

- Please check the power and load to see if correct.
- Check if show lamp flash with one time every 5 seconds.
- Check load and to see if it's in good condition.
- Check if the show lamp accelerates its speed after detecting.
- Check if the working light corresponds to the ambient light.

The sensitivity is poor:

- Please check if there has hinder in the front of the detection window to effect receipt of the signals.
- Please check if the ambient temperature is too high.
- Please check if the signals source is in the detection fields.
- Please check if the installation height corresponds to the height showed in the instruction.
- Please check if the moving orientation is correct.

The sensor can't shut the load automatically.

- Check if has the continual signals in the detection fields.
- Check if the time delay is the longest.
- Check if the power corresponds to the instruction.
- Check if exist any temperature change near the sensor, such as air condition or central heating etc.
- To check it if in locking conditions.