

1 2 3 4 5 6 7 8

A

A

B

B

C

C

D

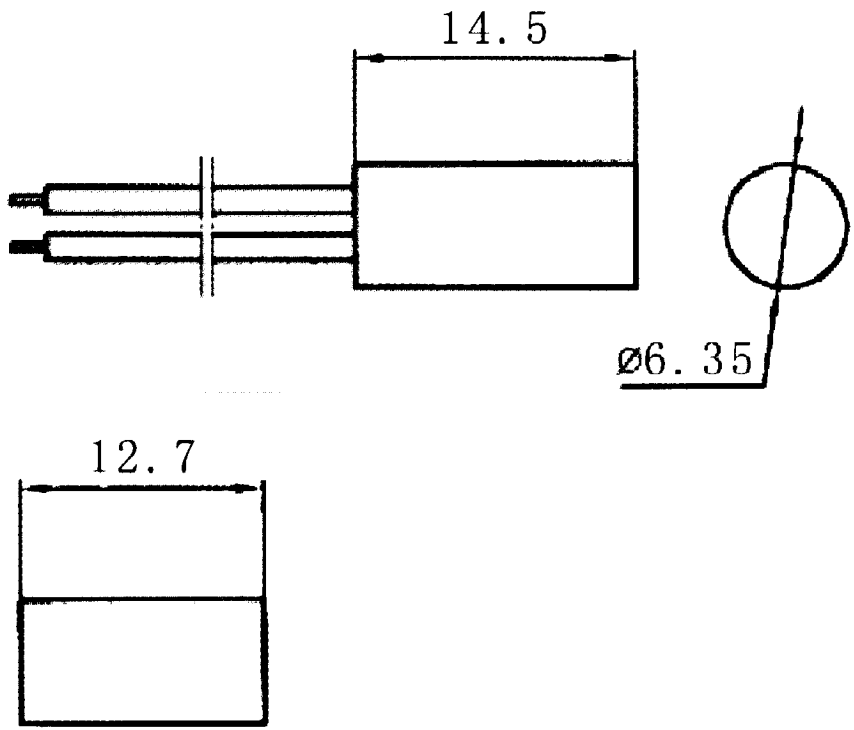
D

E

E

F

F



**Specification:**

Size: 1/4" X 9/16" MINI-15

GAP:3/8"

22AGW,18" Length Min.

Ideal for tight fit windows

Good for thin door frames

Excellent for security screens

Long leads available

Shorter than all stubby contacts

Versatile

White or Brown

|  |             |           |   |                 |              |
|--|-------------|-----------|---|-----------------|--------------|
|  |             |           | <b>DSW</b> NINGBO DSW AUDIO & SECURITY EQUIPMENT<br><a href="http://www.dswbrand.com">http://www.dswbrand.com</a> |                 |              |
|  |             |           | <b>Magnetic Contacts</b>  |                 |              |
| No.  | DESCRIPTION | APPROVED  | DATE  | <b>MCR-4101</b> |              |
| <small>TOLERANCES UNLESS NOTED OTHERWISE</small><br>X .XX ±<br>.XXX ±<br>90° FORMED ±2°<br>ANGLES ±1°<br><small>FIRST ANGLE PROJECTION</small> |             | APPROVALS |   | UNIT            | DWG NO.      |
|  |             |           |   | mm              |              |
|  |             | APPROVED  | 04.01.16  | SCALE           | NOT TO SCALE |
|  |             |           |   | SHEET           | VER 1.0      |

1 2 3 4 5 6 7 8