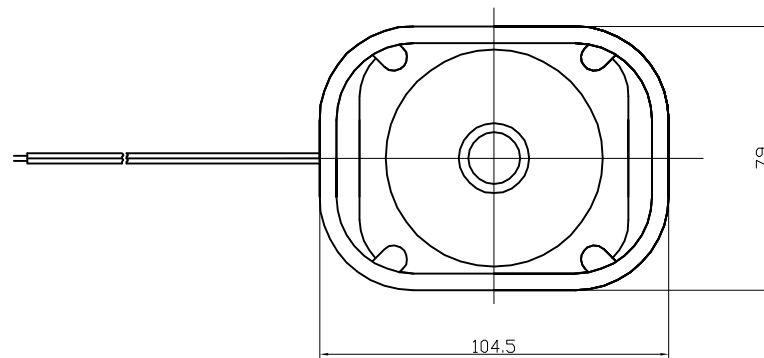
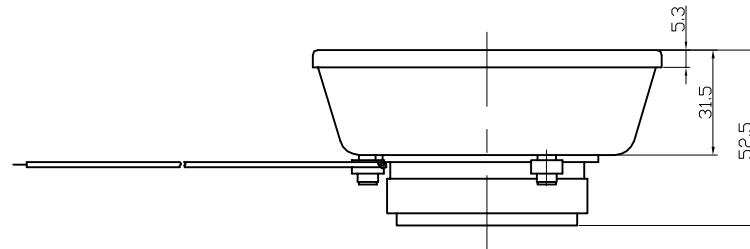
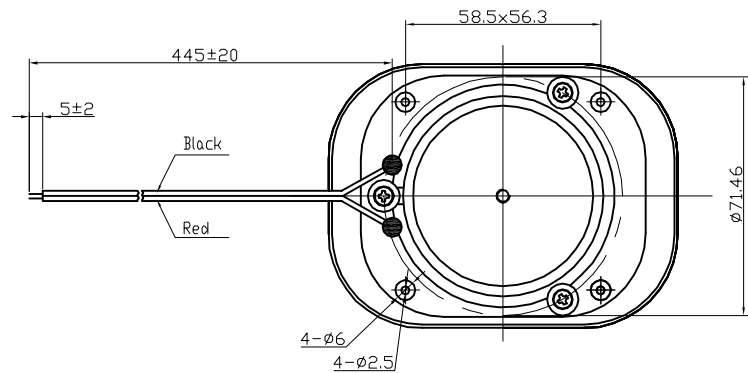


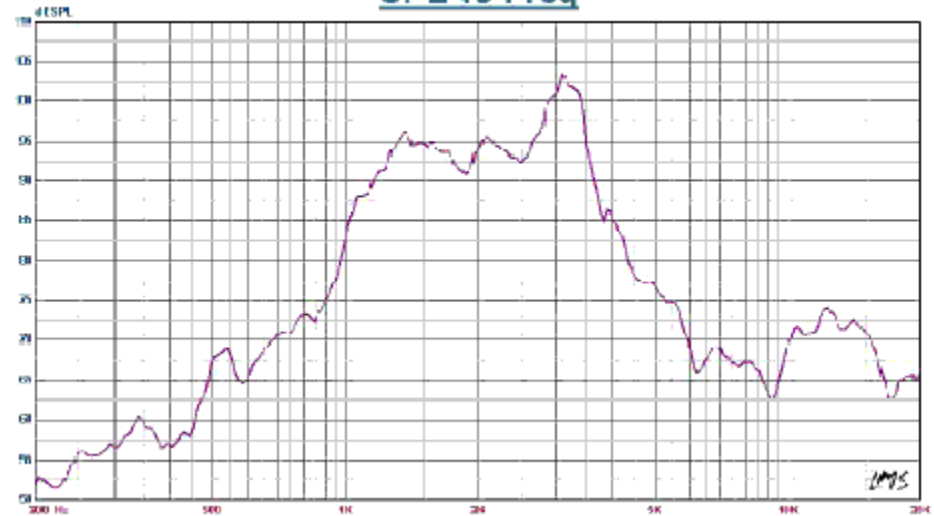
Specification

(Test Condition, 25 °C)

1. Housing Material/ColorABS/Black
2. Voice Coil Impedance 6 Ohm (at 1 KHz)
3. Voice Coil Dimension Ø 25.5 mm(Dia.)
4. Magnet SizeØ60*32*10 mm(Dia.* dia.*H)
5. Power Rating RMS 15 W
6. Power Rating Peak 20 W
7. Frequency Range 500-10KHz
8. Min. S.P.L.103 dB(at 1 meter, 1W, 500-10KHz)
9. Operating Temperature Range -20 ~ +60°C
10. Wires Connection Red, Black (Non-polarized)
11. Weight 300 ±10 g



SPL vs Freq



				DSW NINGBO DSW AUDIO & SECURITY EQUIPMENT http://www.dswbrand.com	
				Horn Speaker	
				H-104	
No.	DESCRIPTION	APPROVED	DATE	UNIT	DWG NO.
TOLERANCES UNLESS NOTED OTHERWISE X = XX = XXX = 90° FORMED +2° ANGLES -1° FIRST ANGLE PROJECTION		APPROVALS		mm	E3.840.015
		CHECKED		SCALE	SHEET
		APPROVED	04.02.10	NOT TO SCALE	VER 1.0