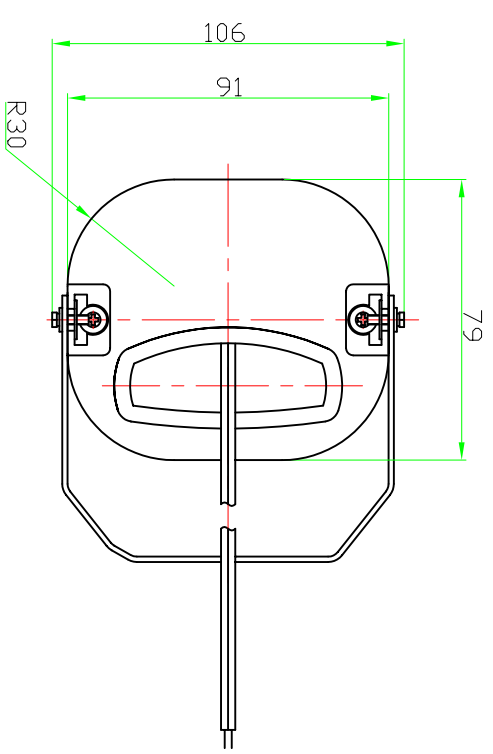
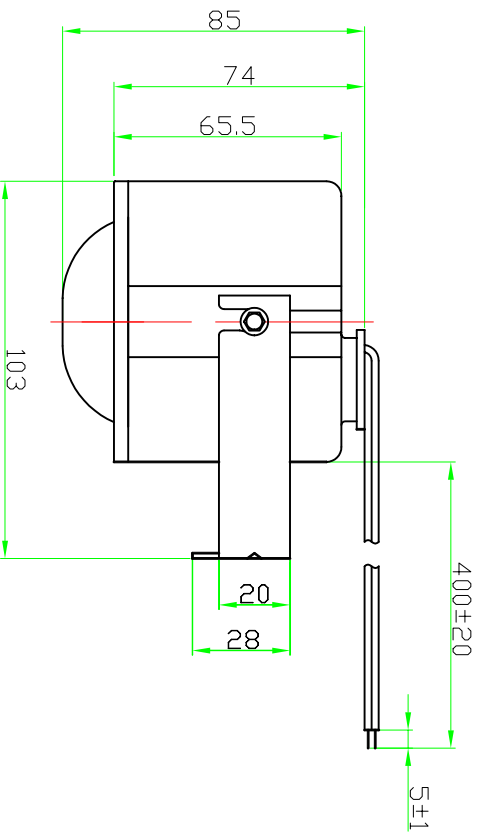


Specification

(Test Condition, 25°C)



1. Housing Material/ Color PA66/Black
2. Voice Coil Impedance 4 Ohm (at 1 KHz)
3. Voice Coil Dimension Ø 25.4 mm(Dia.)
4. Magnet Size Ø60*32*8 mm(Dia.* dia.*H)
5. Power Rating RMS 15 W
6. Power Rating Peak 20W
7. S.P.L. 107±3 dB(at 1 meter, 2V,900-5000Hz)
8. Resonant Frequency 0.9 -- 5.0KHz
9. Load Test 8 Hours (at 15w)
10. Heat Test 8 Hours (at 85°C)
11. Operating Temperature range -20 ~ +85°C
12. Wires Connection Red +12V
..... Black GND
13. Weight 345 ±10%

No.		DESCRIPTION		DATE	DSW NINGBO DSW AUDIO & SECURITY EQUIPMENT http://www.dswbrand.com	
DESIGNER		APPROVED		DATE	Horn Speaker EH-91U-4	
DRAWN		CHECKED		DATE	UNIT	DWG.NO.
FIRST ANGLE PROJECTION		APPROVED		04.02.14	SCALE	E3.840.014
					NOT TO SCALE	SHEET
						VER 1.0