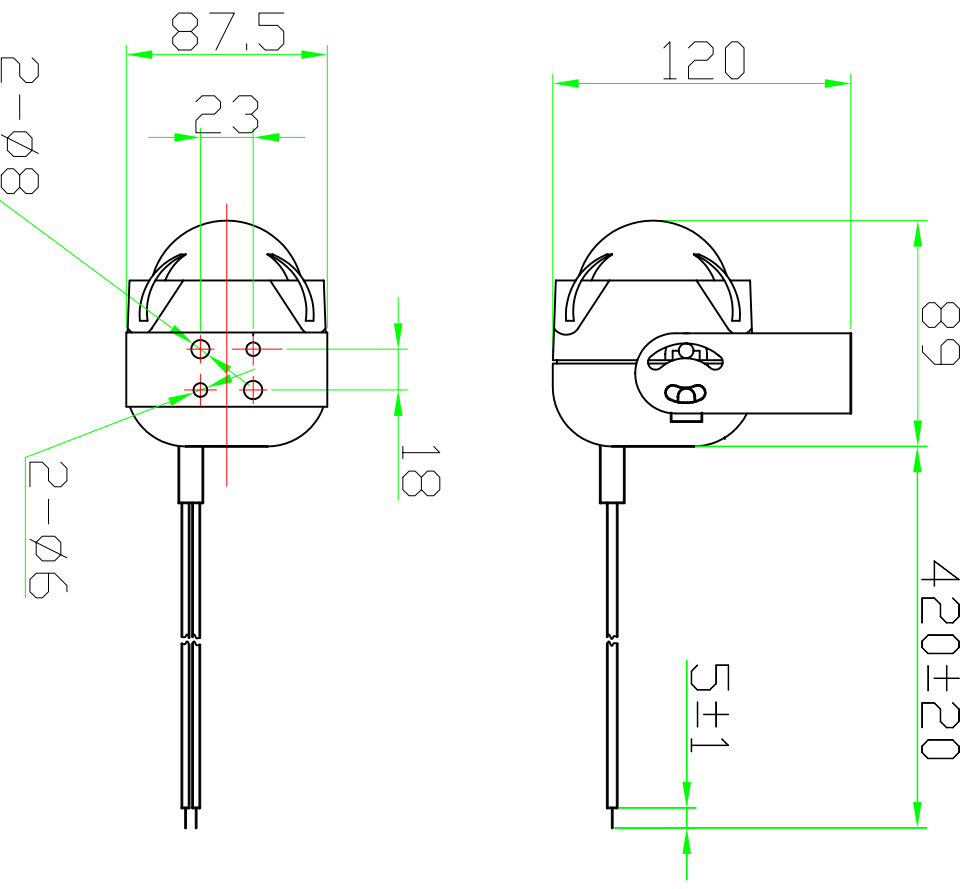


Specification

(Test Condition, 25°C)

1. Housing Material/Color ABS/Blank
2. Voice Coil Impedance 6 Ohm (at 1 KHz)
3. Voice Coil Dimension Ø 25.4 mm(Dia.)
4. Magnet Size Ø60*32*10 mm(Dia.* dia.*H)
5. Power Rating RMS 15 W
6. Power Rating Peak 20 W
7. Frequency Range 500-8000Hz
8. Resonant Freq. F₀. 1.5 KHz ±10%
9. S.P.L. 100dB(at 1 meter, 2.449V,1000Hz)
10. Wires Connection Black:white (Non-polarized)
11. Weight 370±10 g



No.		DESCRIPTION		DATE	UNIT	
DRAWN		APPROVED		DATE	SCALE	
CHECKED		APPROVALS		DATE	NOT TO SCALE	
FIRST ANGLE PROJECTION		APPROVED		04.02.10	SHEET	
					VER 1.0	
DSW NINGBO DSW AUDIO & SECURITY EQUIPMENT http://www.dswbrand.com				Horn Speaker EH-88U-6 mm E3.840.010		