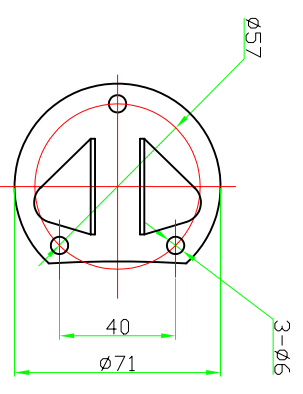
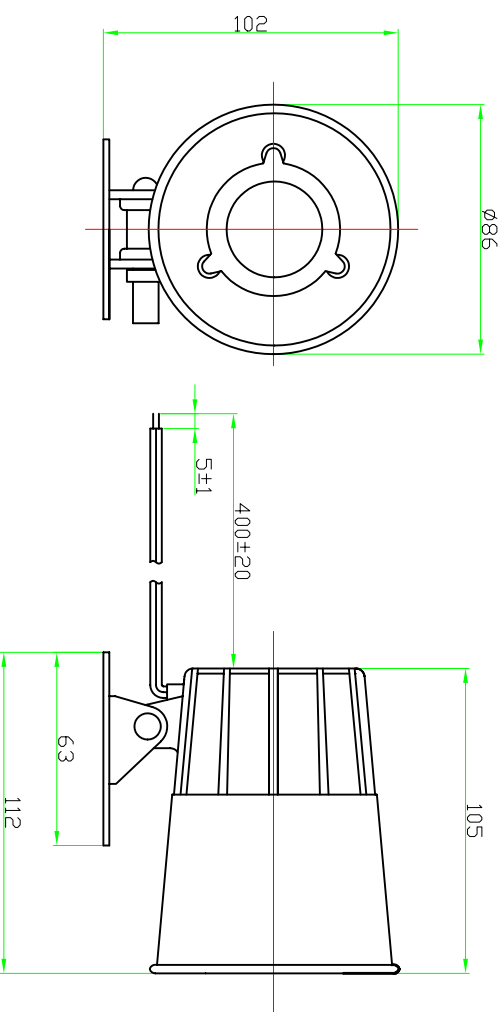


Specification (Test Condition, 25°C)

- 1. Housing Material/ Color ABS / Black
- 2. Voice Coil Impedance 6 Ohm (at 1 KHz)
- 3. Voice Coil Dimension Ø 25.4 mm(Dia.)
- 4. Magnet Size Ø60*32*10 mm(Dia.*dim.*H)
- 5. Power Rating RMS 15 W
- 6. Power Rating Peak 20 W
- 7. Frequency Range 200-10000Hz
- 8. Resonant Freq. Fo. 1.5 KHz ±10%
- 9. S.P.L. 102±2dB(at 1 meter, 2.449V,1000Hz)
- 10. Wires Connection Black, White(Non-Polarized)
- 11. Weight 360 ±10 g



No.		DESCRIPTION	APPROVED	DATE	DSW NINGBO DSW AUDIO & SECURITY EQUIPMENT http://www.dswbrand.com	
DESIGNER					Horn Speaker EH-86T-6	
DRAWN		APPROVALS			UNIT	DWG NO.
CHECKED					mm	E3.840.011
FIRST ANGLE PROJECTION		APPROVED		04.02.10	SCALE	SHEET
					NOT TO SCALE	VER 1.0