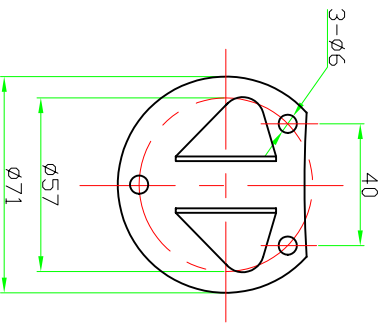
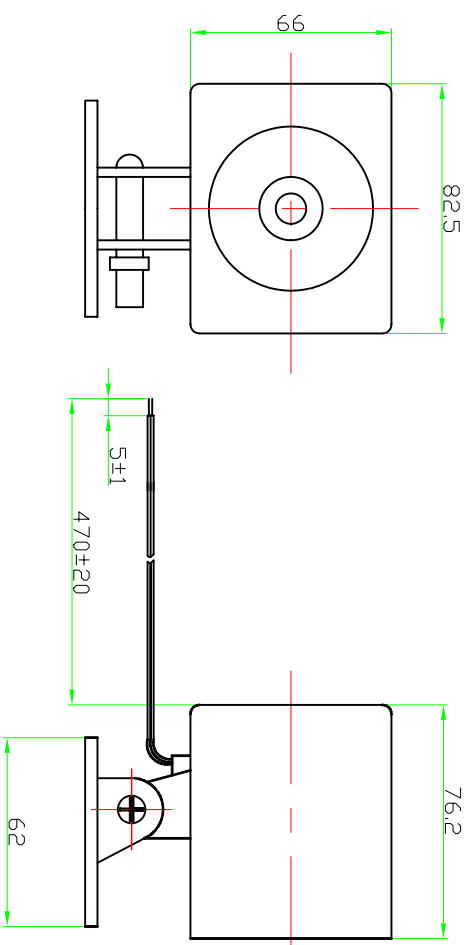


Specification (Test Condition, 25°C)

1. Housing Material/Color ABS/Blank
2. Voice Coil Impedance 6 Ohm (at 1 KHz)
3. Voice Coil Dimension Ø 25.4 mm(Dia.)
4. Magnet Size 60*32*10 mm(Dia.* dia.*H)
5. Power Rating RMS 15 W
6. Power Rating Peak 20 W
7. Frequency Range 200-10000Hz
8. Resonant Freq. Fo. 1.5 KHz ±10%
9. S.P.L. 88 dB(at 1 meter, 2.449V, 1000Hz)
10. Wires Connection Black, white (Non-polarized)
11. Weight 360 ±10 g



No.		DESCRIPTION		DATE	UNIT	
DESIGNED BY		APPROVED		DATE	SCALE	
DRAWN		APPROVALS		DATE	NOT TO SCALE	
CHECKED		APPROVED		04.02.10	SHEET	
FIRST ANGLE PROJECTION		APPROVED		04.02.10	VER 1.0	
DSW NINGBO DSW AUDIO & SECURITY EQUIPMENT http://www.dswbrand.com				Home Speaker EH-83T-6		
DRAWN		DWG NO.		E3.840.012		
CHECKED		SCALE		SHEET		
APPROVED		NOT TO SCALE		VER 1.0		