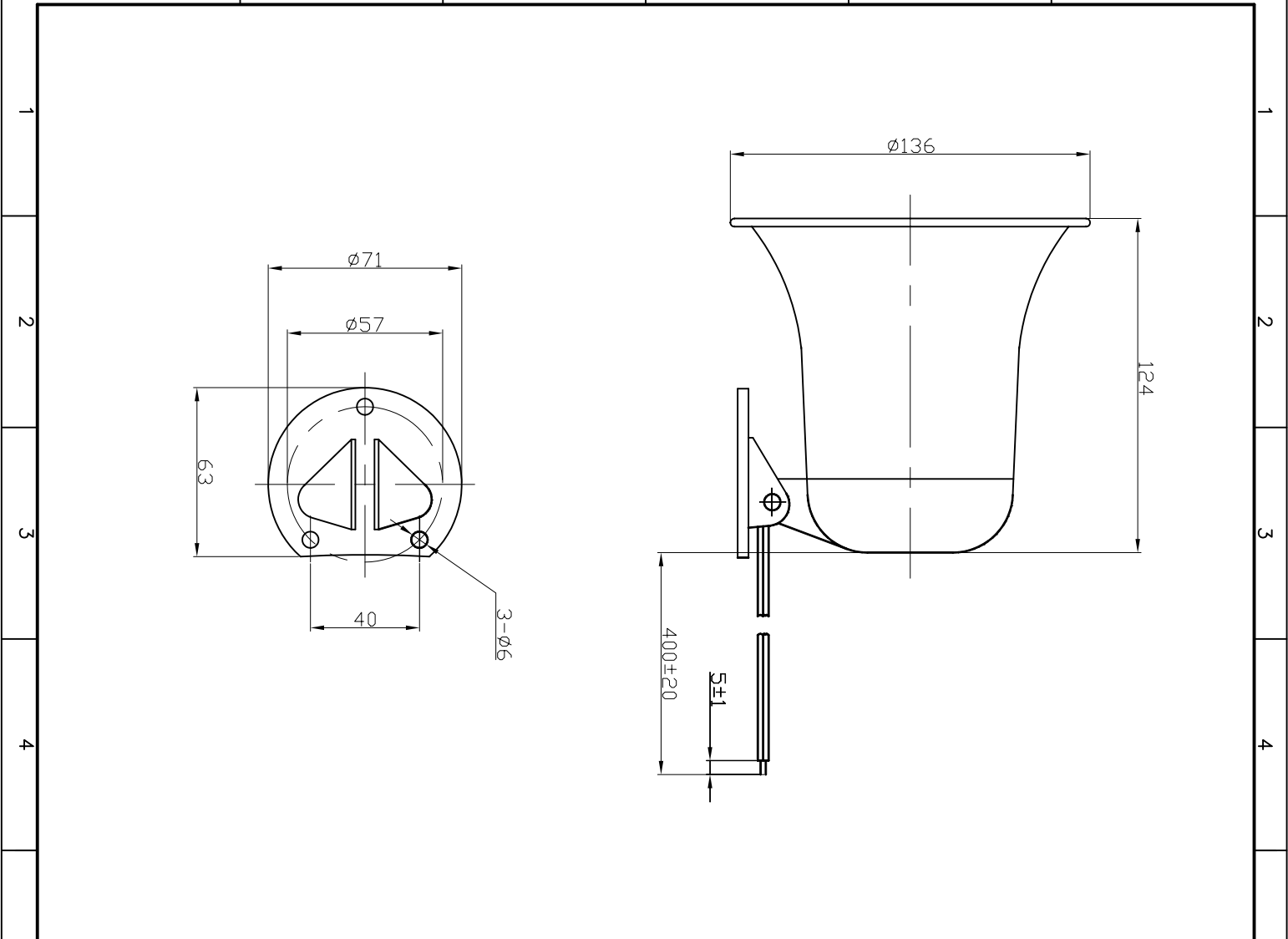


A B C D E F



Specification

(Test Condition, 25 °C)

- 1. Housing Material/Color ABS/Black
- 2. Voice Coil Impedance 8 Ohm (at 1 KHz)
- 3. Voice Coil Dimension Ø 25.4 mm(Dia.)
- 4. Magnet Size Ø60*32*10 mm(Dia.* dia.*H)
- 5. Power Rating RMS 10 W
- 6. Power Rating Peak 15 W
- 7. S.P.L. 103±3 dB(at 1 meter, 2.83V)
- 8. Load Test 8 Hours
- 9. Heat Test 8 Hours (at 60 °C)
- 10. Operating Temperature Range -20 ~ +60 °C
- 11. Wires Connection Black,white (Non-polarized)
- 12. Weight 400 ±10 g

No.		DESCRIPTION		APPROVED		DATE	
DESIGNER		DRAWN		CHECKED		APPROVED	
DATE		DATE		DATE		DATE	
UNIT		SCALE		DWG NO.		SHEET	
mm		NOT TO SCALE		E3.840.020		VER 1.0	
<p>DSW NINGBO DSW AUDIO & SECURITY EQUIPMENT http://www.dswbrand.com fax: +8657487264906</p>							
<p>Electronic Horn EH-135C</p>							

A B C D E F

1 2 3 4 5 6 7 8