

## High-Output Siren EBA-71



**FEATURES:**

- High Output
- Wide Voltage Range
- High Reliability

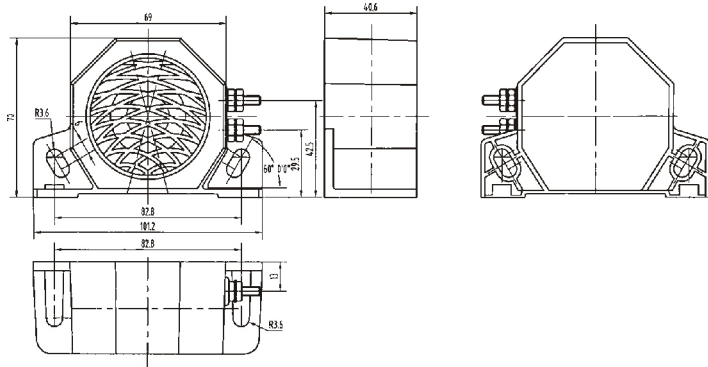
**APPLICATIONS:**

- Automatic Control Equipment
- Back A Car Alarm
- Alarm Systems

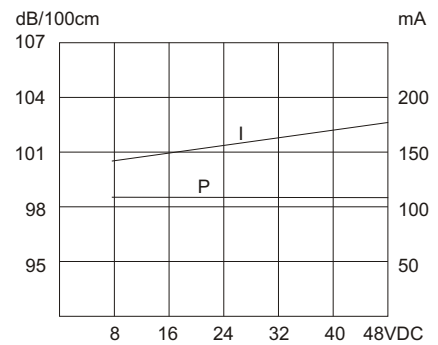
**PACKING INFORMATION:**

- Packing: 32X25X19cm
- G.W.: 10.7kgs N.W.: 9.7kgs

**DIMENSIONS: (Unit: mm)**



**CHARACTERISTICS:**



<b>Model No.</b>	<b>EBA-71</b>
14VDC /100cm	97dB(A)
Rated Voltage	14VDC
Operating Voltage	12~48VDC
Max. Consumption at 14VDC	400mA
Oscillating Frequency	1200± 200Hz
Tone Nature	Slow Pulse (1.2Hz±20%)
Operating Temperature	-20~+70°C
Case Material/Color	PA66/Black
Weight	265g

\* The information contained herein is believed to be correct, but no guarantee for accuracy, completeness. DSW Electronics Ltd. reserves the right to make changes without notification.