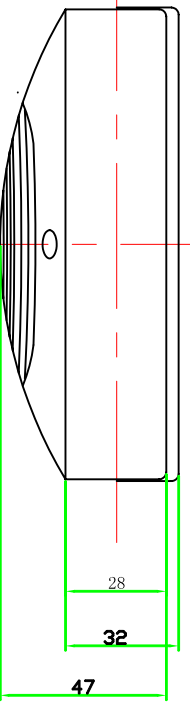
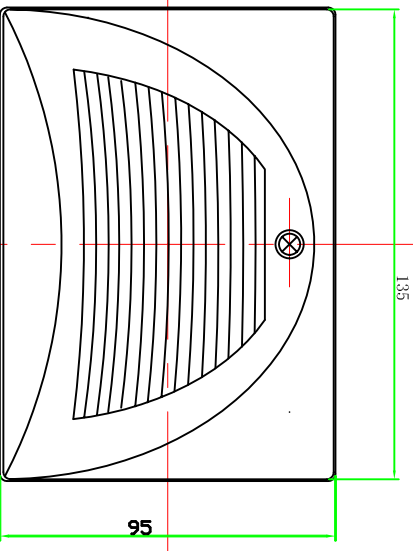




# Specification (Test Condition, 25?)

1. Housing Material/ Color..... ABS /White
2. Rated Voltage ..... 12 VDC
3. Range Voltage ..... 6-12 VDC
4. S.P.L. .... 110±2 dB(at 1 meter, 12VDC)
5. Current Draw ..... 500 mA Max.( at 12 VDC)
6. Operating Temperature range ..... -20 ~ +85°C
7. Wires Connection ..... Red +12V  
..... Black GND
8. Weight .....180±5 g



No.		DESCRIPTION		DATE	UNIT	
DRAWN		APPROVED		DATE	SCALE	
CHECKED		APPROVALS		DATE	NOT TO SCALE	
FIRST ANGLE PROJECTION		APPROVED		04.09.05	SHEET	
				04.09.05	VER 1.0?	
<b>DSW</b> NINGBO DSW AUDIO & SECURITY EQUIPMENT <a href="http://www.dswbrand.com">http://www.dswbrand.com</a> fax: +86(574)87264906		<b>Piezo Alarm</b> <b>EPA-100</b>		04.09.05	<b>E7.840.021</b>	