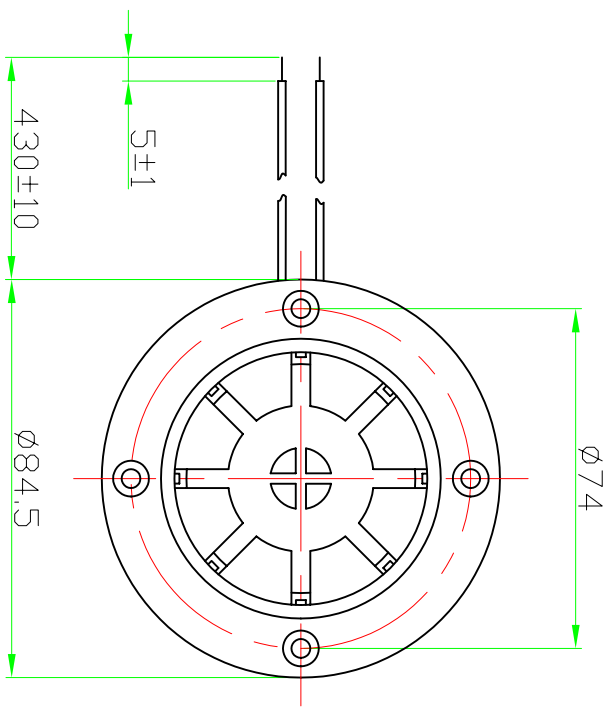
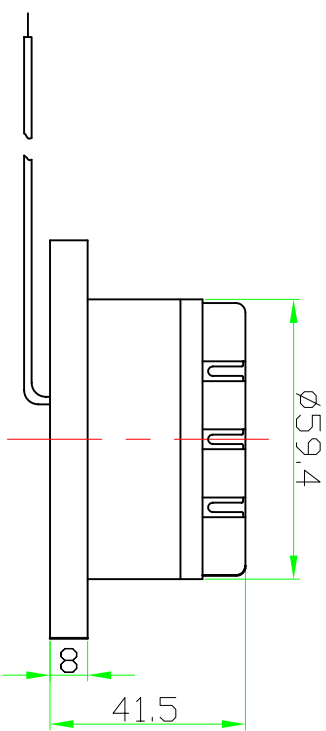


Specification

(Test Condition, 25°C)



1. Housing Material/ Color ABS / White
2. Power Rating RMS 10 W
3. Power Rating Peak 15 W
4. Rated Voltage 12 VDC
5. Range Voltage 6-15 VDC
6. S.P.L. min. 105 dB(at 1 meter, 12VDC)
7. Resonant Frequency 2.8±0.5KHz
8. Tone Nature Siren
9. Current Draw 280 mA Max. (at 12 VDC)
10. Load Test 8 Hours (at 12 VDC)
11. Heat Test 8 Hours (at 85°C)
12. Operating Temperature range -20 ~ +85°C
13. Wires Connection Red +12V
..... Black GND
14. Weight 70±5 g

No.		DESCRIPTION	APPROVED	DATE	DSW NINGBO DSW AUDIO & SECURITY EQUIPMENT http://www.dswbrand.com	
<small>FOR THE OWNERS</small> <small>FOR THE ENGINEERS</small> <small>X #</small> <small>XX #</small> <small>XXX #</small> <small>90° FORMED ±2°</small> <small>ANGLES ±1°</small> <small>FIRST ANGLE PROJECTION</small>		APPROVALS	DATE	DATE	UNIT	DWG. NO.
		APPROVED		04.02.14	SCALE	NOT TO SCALE
		CHECKED			mm	E7.840.009
		APPROVED			SCALE	SHEET
					NOT TO SCALE	VER 1.0