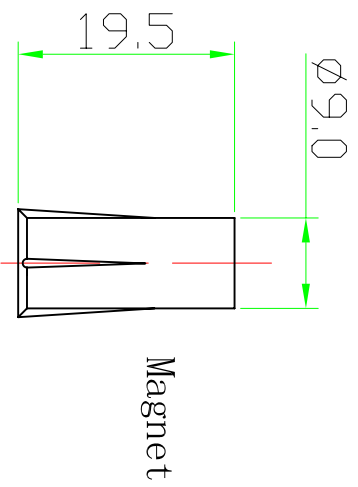
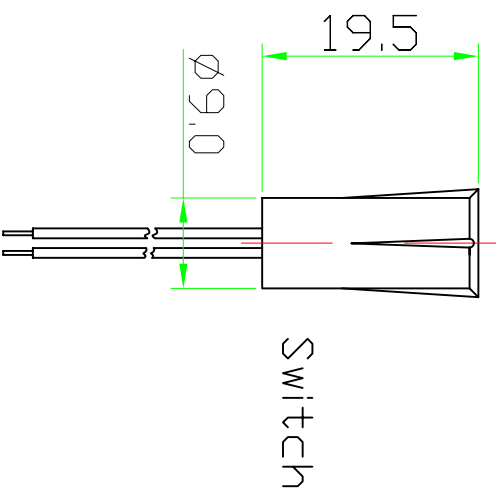
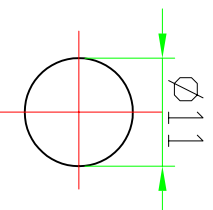


Specification:

- *3/8" diameter Super miniature Stubby switch
- *Press to fit
- *Standard 18"#22AWG Leads
- *Switches or magnets are available seperately
- *Long lead upon request
- *Colors: White, Brown, Grey
- *MCR-2101 UL & CUL listed
- *Safety approvals:



Magnet



Switch

| Part Number | Loop Type | Reed Form | Gap [Inch(mm)] | Maximum Initial Contact Resistance (ohm) | Maximum Contact Rating (w) | Maximum Switching Voltage (VDC/VAC) | Maximum Switching Current (A) |
|-------------|-----------|-----------|----------------|--|----------------------------|-------------------------------------|-------------------------------|
| MCR-2101 | Closed | N/O | 3/4 (20) | 0.150 | 10 | 100 | 0.5 |
| MCR-2101W | Closed | N/O | 1 (25) | 0.150 | 10 | 100 | 0.5 |

| | |
|---|--------------|
| DSW NINGBO DSW AUDIO & SECURITY EQUIPMENT http://www.dswbrand.com | |
| Magnetic Contacts | |
| MCR-2101 | |
| No. | DESCRIPTION |
| DATE | DATE |
| APPROVED | APPROVALS |
| CHECKED | CHECKED |
| APPROVED | APPROVED |
| 04.01.16 | 04.01.16 |
| SCALE | NOT TO SCALE |
| UNIT | DWG NO. |
| mm | E4.840.006 |
| SHEET | VER |
| | 1.0 |