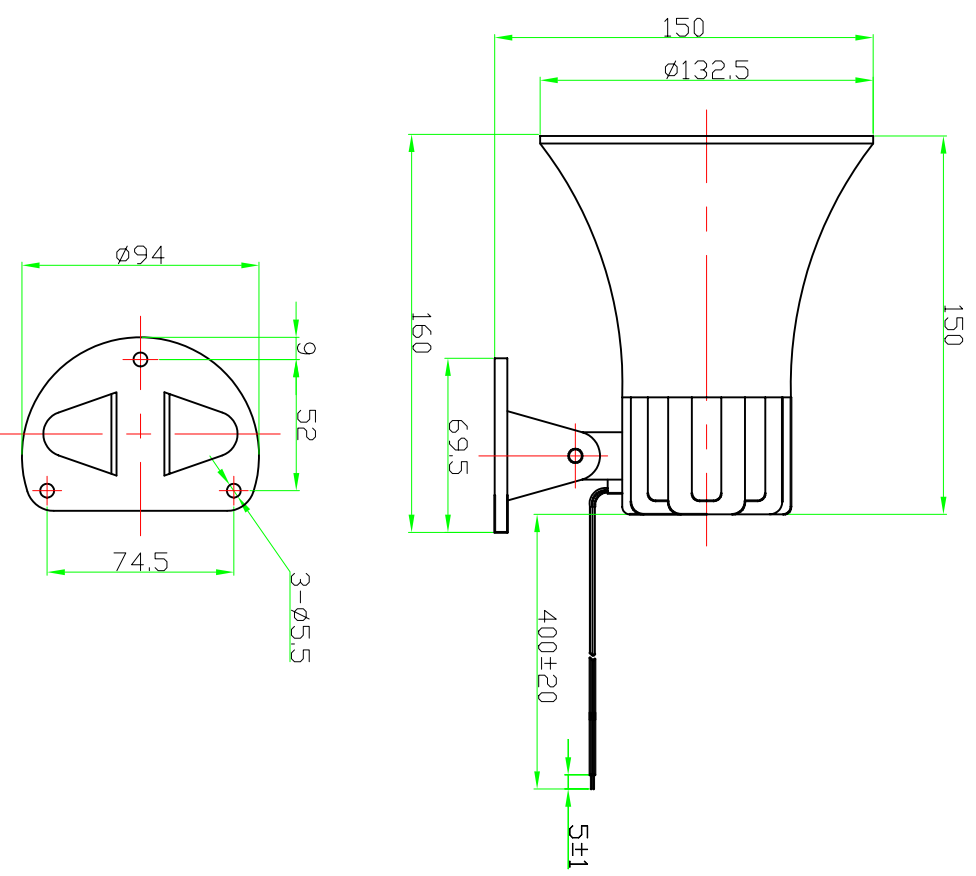


# Specification

(Test Condition, 25°C)

1. Housing Material/ Color ..... ABS / White
2. Voice Coil Impedance ..... 6 Ohm (at 1 KHz)
3. Voice Coil Dimension .....  $\varnothing 25.4$  mm(Dia.)
4. Magnet Size .....  $\varnothing 60 \times 32 \times 10$  mm(Dia.\* dia.\*H)
5. Power Rating RMS ..... 15 W
6. Power Rating Peak ..... 20 W
7. Rated Voltage ..... 12VDC
8. Range Voltage ..... 6-14 VDC
9. S.P.L. .... min. 110 dB(at 1 meter, 12VDC)
10. Tone Nature ..... Siren
11. Current Draw ..... 750 mA Max. (at 12 VDC)
12. Load Test ..... 8 Hours (at 12 VDC)
13. Heat Test ..... 8 Hours (at 60°C)
14. Operating Temperature range ..... -20 ~ +60°C
15. Wires Connection ..... Red +12V  
Black GND
16. Weight ..... 475  $\pm$ 10 g



No.		DESCRIPTION	APPROVED	DATE	UNIT	
DESIGNER					SCALE	
DRAWN					NOT TO SCALE	
CHECKED					SHEET	
FIRST ANGLE PROJECTION				04.01.17	VER 1.0	
				<b>DSW</b> NINGBO DSW AUDIO & SECURITY EQUIPMENT <a href="http://www.dswbrand.com">http://www.dswbrand.com</a>		
ELECTRONICS XX # 90° FORMED ±2°		APPROVALS		DATE	Electron Siren <b>ES-133T1(15W)</b>	
					DWG NO. <b>E1.840.004</b>	