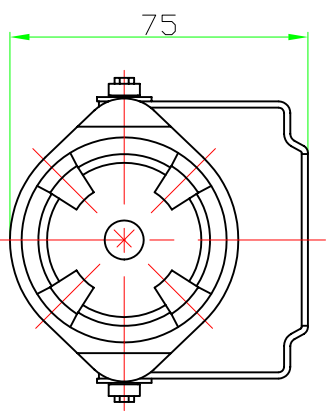
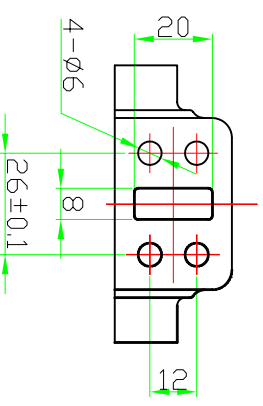
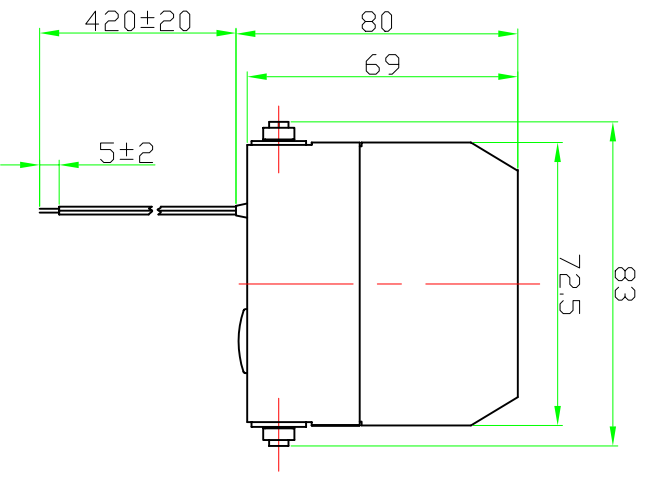


Specification

(Test Condition, 25°C)

1. Housing Material/ Color ABS / Black
2. Voice Coil Impedance 12 Ohm (at 1 KHz)
3. Voice Coil Dimension Ø25.5 mm(Dia.)
4. Magnet Size Ø24.5x3.5 mm(Dia.* dia.*H)
5. Power Rating RMS 10 W
6. Power Rating Peak 15 W
7. Rated Voltage 12 VDC
8. Range Voltage 6-14 VDC
9. S.P.L. min. 108dB(at 1 meter, 12VDC)
10. Tone Nature 6-Tone
11. Current Draw 900 mA Max. (at 12 VDC)
12. Load Test 8 Hours (at 12 VDC)
13. Heat Test 8 Hours (at 60°C)
14. Operating Temperature range -20 ~ +65°C
15. Wires Connection Red +12V
Black GND
16. Weight 170 ±10 g



No.		DESCRIPTION	APPROVED	DATE	UNIT	
DRAWN		APPROVALS	CHECKED	DATE	SCALE	DWG. NO.
FIRST ANGLE PROJECTION		APPROVED		04.01.17	NOT TO SCALE	E1.840.006
DSW NINGBO DSW AUDIO & SECURITY EQUIPMENT http://www.dswbrand.com				Electron Siren ES-73U6(20W)		
COOPER OVERSEAS X XX # 90° FORMED ±2° ANGLES				SHEET		
				VER 1.0		