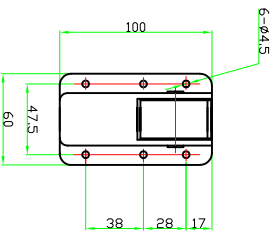
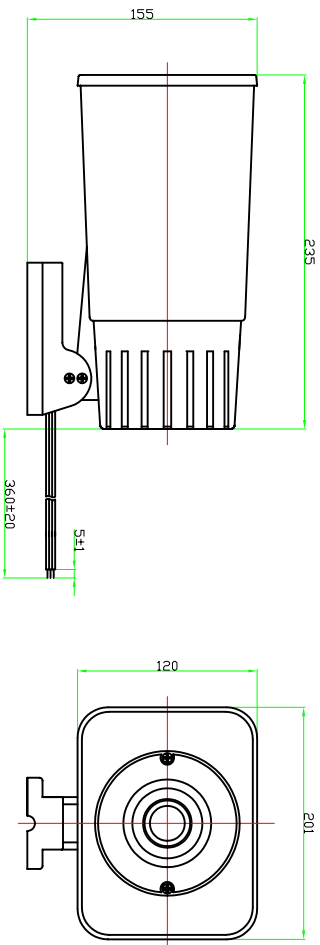


Specification

(Test Condition, 25°C)



1. Housing Material/ Color ABS / White
2. Voice Coil Impedance 6 Ohm (at 1 KHz)
3. Voice Coil Dimension Ø 33 mm(Dia.)
4. Magnet Size Ø80*40*12 mm(Dia.* dia.*H)
5. Power Rating RMS 20 W
6. Power Rating Peak 30 W
7. Rated Voltage 12 VDC
8. Range Voltage 6-14 VDC
9. S.P.L. min. 110 dB(at 1 meter, 12VDC)
10. Tone Nature Warble / Continuous
11. Current Draw 1400 mA Max. (at 12 VDC)
12. Load Test 8 Hours (at 12 VDC)
13. Heat Test 8 Hours (at 60°C)
14. Operating Temperature range -20 ~ +60°C
15. Wires Connection Red +12V(Warble)
 Yellow +12V(Continuous)
 White GND
16. Weight 1050 ±10 g

No.		DESCRIPTION	APPROVED	DATE	DSW NINGBO DSW AUDIO & SECURITY EQUIPMENT http://www.dswbrand.com	
DATE OF FINISH					Electron Siren	
DRAWN		APPROVALS			ES-200R	
CHECKED					UNIT	DWG NO.
FIRST ANGLE PROJECTION		APPROVED		04.01.17	SCALE	E1.840.007
					NOT TO SCALE	SHEET
						VER 1.0