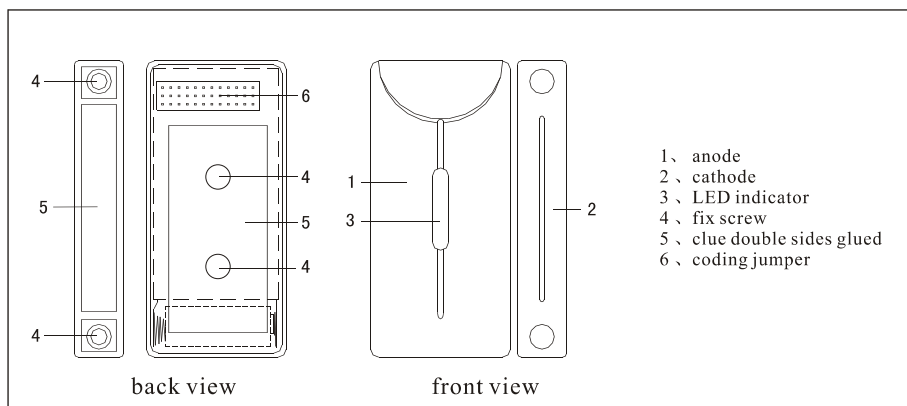


Wireless magnetic switch

The product is based on magnetic control principle and take use of MCS-602 as encode IC. Transmit frequency is 868MHZ.

GENERAL VIEW



TECHNICAL PARAMETER

Operating Voltage	12V DC (23A battery used)
Operating Current	standby current: $< 8 \mu A$ (23A battery used)
	alarm current: $< 10mA$ (23A battery used)
Magnetic Control Distance	$\leq 17mm$
Transmit Frequency	868MHZ
Operating Temperature	$-10^{\circ}C \sim 50^{\circ}C$
Transmit Range	$> 100m$ (in open space)
Dimension	$72 \times 37 \times 15.5mm$

INSTALLATION AND USAGE

- 1、Coding jumper include three rows, the top jumper is high level(H); the bottom jumper is low level(L); the middle jumper is encode IC pins: Address-code is A0~A7 and zone numbercode is A8~A11 (D0~D3). Coding pins can be connected to high level or low level, or be NULL (no jumper).
- 2、Use screw fixing or sticking when installed.

NOTICES

- 1、Please mount and use the product as the front view and the same plane.
- 2、If LED indicator is on all the time, indicating low battery. Please replace the battery in time.
- 3、Though this product can reduce accidents, it may not perform as expected occasionally. Therefore, take into account your safety, you should operate this product correctly, besides, strengthen your safety consciousness in daily life.