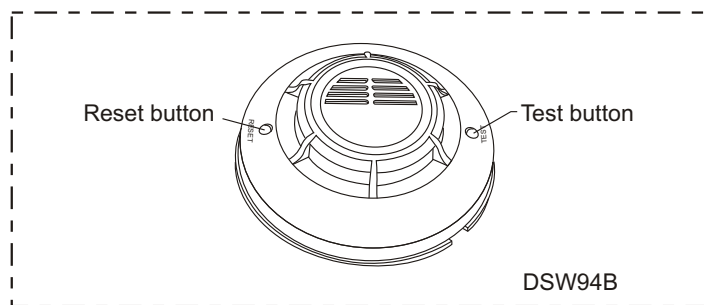




## **DSW94B** **PHOTOELECTRIC SMOKE DETECTOR**

### **GENERAL VIEW**



### **INTRODUCTION**

DSW94B Photoelectric Smoke Detector runs by detecting the smoke particles. With special structure designed, and photoelectric signal processing technique, and dustproof, anti little fly and anti light interference, especially detecting the visible smoke caused by hidden or bright fire. It is widely used in house, shop, hotel and storage etc.

### **TECHNICAL SPECIFICATIONS**

Supply voltage	DC 12V
Standby current	≤5mA
Alarm current	≤35mA
Operating temperature	-10oC - 50oC
Operating humidity	≤95%RH
Mounting method	Ceiling mounted
Detecting range	20m <sup>2</sup>
LED Frequency	One time every 32 sec
Output pattern	Relay&LED is on
Sensor type	Infrared photoelectric diode
Sensitivity	II or III dergree

### **PACKING**

One Detector, One 86x86 Fixing Board, Two Expandable Pipes, Four Fixing Screws, One Products PASS Certificate, One Product Manual, One Repair Guarantee.

### **INSTALLATION**

- 1.Choose a suitable position (normally mounted on the center of the ceiling of the detecting area) and mount the 86x86 fixture board on the selected position by fixing screws, then push the detector into the board and turn it, check if it is steady or not.
- 2.Please connect the wire correctly according the specification. Red wire is connected with the positive pole of power. Black one is connected with the ground. Yellow and green are normally close. Blue and green are normally open.

### **USAGE**

- 1.Turn on the power, the detector comes into self-checking. Indicator LED flashes fifteen times (about 30 seconds) and then the detector comes into normal detecting state. After self-checking, the indicator LED flashes one time every 10 seconds.
- 2.Push the test button down over a second, then the indicator LED will flash several times. It indicates the detector works normally. You can also blow a little smoke into the detector to test if it has a normal feature. After alarm, the detector should be reset manually by pressing the reset button and come into normal detecting state.

### **NOTES**

- 1.The detector should not be placed in very hot, very cold, high wind speed surroundings and in the conditions where there is a lot of smoke or dust normally.
- 2.The detector needs to be test one time every month.
- 3.To ensure it has a normal performance, you should clean the detector with soft brush semiyearly. When cleaning, turn off power firstly.
- 4.For various reasons, including, but not limited to, changes in environmental conditions, electric or electronic disruptions and tampering, the Product may not perform as expected. The user is advised to take all necessary precautions for his/her safety and the protection of his/her property.