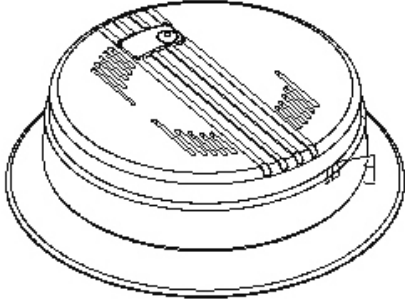


DSW708

Smoke Alarm Instruction

The product adopts ionization detector and 9v battery as power. It can be used in family room and office. For your safety, you'd better install one alarm in every room. The product can connect each other to share alarm. Before using it, please read the instruction carefully, don't open the alarm casually avoiding working abnormally.



SPECIFICATION

Rated power: DC9V
DC9V/AC220V

Static current: $\geq 5\mu A$

Alarm current: $\geq 10mA$

Alarm level: $\geq 85dB$

Low voltage alarm: 7V

Attentions for installation:

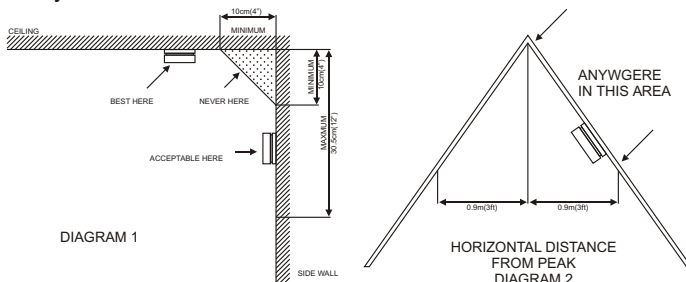
Before you install the alarm, read the instruction carefully and keep it!!!

WHERE TO INSTALL BEST

- At first you need install one in the bedroom and route way, because the bedroom is far away from the exit usually, if you have several bedrooms, you'd better install one alarm in every room.

Install it in the stairway, because stairway take an important part in emergent situation.

- At least install one alarm in every floor.
- Install one alarm beside the electric appliances in every room.
- Smoke, heat and burning things will spread horizontally after rising to the ceiling, so install one alarm in the middle of the ceiling of ordinary structure house. Let the alarm can induce every corner.



- If alarm can't be installed in the middle of the ceiling for some reasons, the distance the alarm away from the wall should be beyond 10CM.

- If install alarm on the wall, it should be 10~30.5CM below the ceiling. (Like the diagram 1)

- If the length of the room or the hall is beyond 9m, you need install several alarms in the hall.

- Alarm need be installed 0.9m away from the highest point in room which is gradient. (Like the diagram 2)

* How to install alarm in moving room.

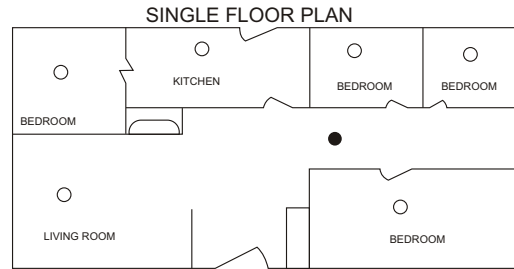
- The moving room's heat insulation is poor comparing with ordinary structure room's, the inner and outer energy exchange with cool air through very thin wall and ceiling, so a heat insulation layer form easily near the wall and ceiling, which baffle the smoke go to alarm. Installed in this structure room,

alarm need be 10~30.5cm below the ceiling.

- If you don't know the moving room's heat insulation, install one alarm on the wall. From the minimum safety, install one alarm in the bedroom at least.

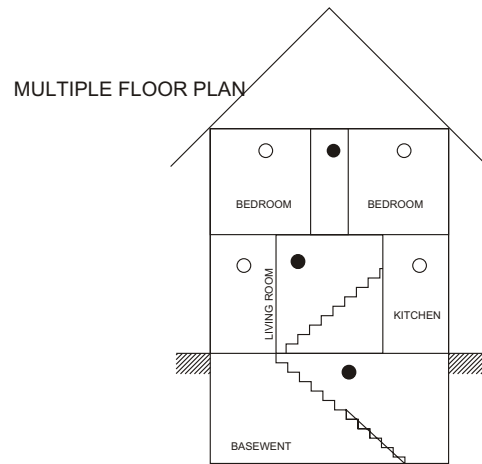
WHERE NOT FIT TO INSTALL.

- Carbn, the burned things providing when you start auto probably lead false alarm.
- Like the structure in the diagram 1, where below 10CM.
- Under the condition that temperature is below 40°F or beyond 100°F.



● SMOKE ALARM FOR MINIMUM PROTECTION

○ SMOKE ALARM FOR ADDITIONAL PROTECTION



- Where there is much dust, the dust particle will lead the alarm do falsely or don't work.

- Where temperature is too high, moisture and humidity will lead false alarm.

- Where many winged-insect appear.

- Installation position is 0.9m below following position: the kitchen floor, bathroom floor and intake.

- Near fluorometry lamp.

INSTALLATION

- Turn the alarm body counterclockwise and take off the bottom plate.

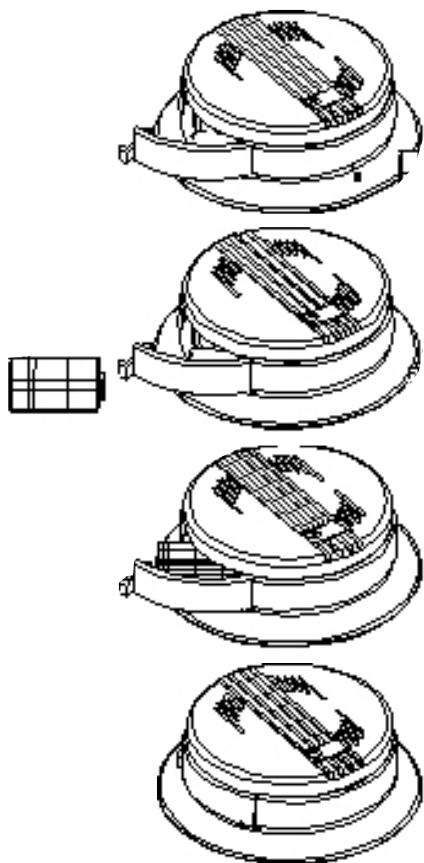
- Press the bottom plate on the installation position, mark installation hole of the plate with pencil.

- Bore two installation holes ($\phi 6.5$, height 35mm) on the sign with electric drill (6.5mm drill bit).

- Strike the dilatant into holes with hammer, screw the bolts (3x30) with gasket into the half of the dilatant, then hang the bottom plate on the screw (gasket press on the plate), tighten the screw.

- Open the battery box, press the battery into box and button it. Without battery the box can't be buttoned. Generally there is not battery when the product is out of factory, you should open the box and check it before you use it. Without battery in it, the

button in the box will flip automatically, and you never button the box until you fix the battery into it (like the following diagram).



• Button the smoke alarm, turn the alarm body clockwise until there is sound of “beng”. Like the following diagram.

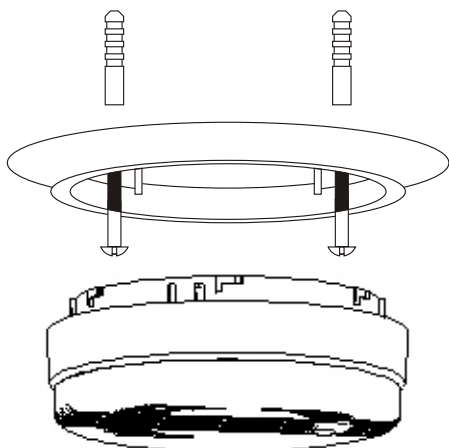
OPERATE AND TEST

• operate: fix the battery in alarm and test it, the alarm is in testing state. When it detects smoke, the alarm will provide the alarm sound beyond 85db until it detect no smoke.

• shine indication: two working ways

1. testing state: flashing one time every 30 seconds indicate the operation is normal.

2. alarm state: when it detects smoke and work, flash one time every 0.5 second until detects no smoke and then stops.



• test: if the alarm and the battery are normal, press the test button for 2 seconds, it will be in the alarming state. If it doesn't alarm, please check if the battery's fixing is correct. If the fixing is correct, probably the alarm has some defect, please contact the supply. Do not open the alarm by yourself and don't test the alarm with fire.

• if there are repetitive and interim low voltage alarm “di”, the interval is 30 seconds, it indicates the battery's energy is shortage. To ensure normal alarm, please replace the battery.

FALSE ALARM

- The design for the alarm has diminished false alarm to the minimum, a little cigarette smoke can't lead it alarm generally, but the lampblack and steam in the kitchen can lead false alarm.
- When alarming, check the alarm cause and confirm if it is false alarm. If it is fire, please dial fire alarm telephone, if not, check whether the installation position belongs to the 2nd section or not.
- Treat every alarm carefully regardless it is false alarm, and do not treat it lightly.

NET ALARM.

If several alarms are connected, when one of them detects the alarm signal, it will alarm and the indicator flash more and more quickly, the others will alarm (the connection number can only is less than 40pcs.), but their indicators won't flash more quickly. After connection, you should test many times until there is not fault, then you can use it. The connection diagram sees the right.

- Replace the battery: if there are situation like the 4.3 section, you should replace the battery, install the battery according to the instruction in battery box. The type can be the following: Carbon and zinc type: EVERY DAY 216 OR 2122; GOLDPEAK



SERVICING

1604P OR 1604S

Alkaline battery: EVERY DAY 522 DURACELL MN1604 MX1604; GOLDPEAK 1604A

Lithium battery: ULTRALIFE U9VL

• Test periodically: test 2~3 times every month to ensure normal alarm.

• Clean alarm: do at least one time every year. At first unfix the alarm, clean the alarm inner with air press spear or vacuum. Clean the shell with wet cloth. After cleaning, install and test it according to the 3, 4 section. If it can't work normally, please replace the alarm.

USE LIMITATION

• NFPA72 indicate that: the life's safety lies in noticing the fire in advanced and confirming the right fleeing for life ways. The fire alarm system should make at least half the people flee from danger, the die usually are old and sick, when dangerous we should more help them.

• Smoke alarm has some limitation. The installation position and airiness condition will all affect the smoke detection, so it's not sure to alarm every time when dangerous.

• Though smoke alarm can alarm, but it not the substitute for insurance. Expect you have the enough insurance mind, you should prepare some fire-fighting devices (fire extinguisher etc.) where danger easy to appear and to ensure life safety and property.

WHAT TO DO WHEN FIRE ALARM.

Dial the fire alarm telephone.

Immediately leave, don't waste the valuable time on taking expensive things.

Don't open the door at will to feel if the door is hot with hand or shoulder. If hot, you'd better flee for life from other safe exit; if not, you should also open the door carefully avoiding the flame in.

8When smoke is thick, breathe covering your mouth and nose with wet towel.

Try your best to leave the fire zone at once.

When there is mass smoke, you should try to crawl, through which can reduce the smoke you breathe in because smoke usually rise up.