

ESL81

Moistureproof Lamp Using Instruction

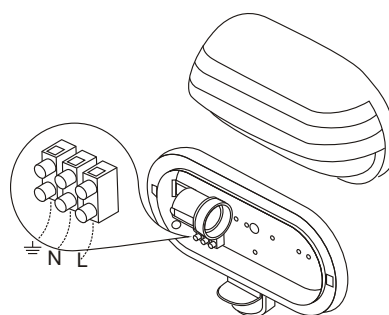
This product is a kind of energy-saving automatic lamp ,it can turn on when one comes and turn off after he leaves, It can identify day and night automatically. It adopts infrared energy discharge detector and integrated circuit, its performance is stable. The lamp will be on when one enters the detection field and trigger it, and it will be off after one leaves

Function:

- 1.Can identify day and night automatically, the working ambient light can be adjusted freely, it can work automatically at night and stop in the daytime,
- 2.The illuminated time can be delayed automatically and adjusted according to the customer's desire.

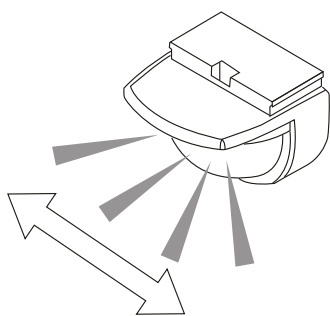
Specification

Detection range (24°C): <math><150^\circ</math>
Ambient light: 10LUX~sunshine
Detection distance: 5-7m(max)(24°C)
Installation height: 1.5m~3m
Power sources: 220-240V/AC
Working temperature: $-10^\circ\text{C}\sim+40^\circ\text{C}$
Power frequency: 50~60Hz
Working humidity: $\leq 93\%RH$
Rate load: 60W max (230V/AC)
Time-delay: min:8sec+3sec max: 3Min+1Min

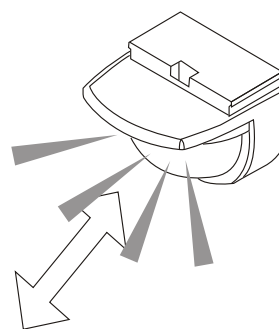


Installation:

1. Connect wire according to the figure when installing.
2. The specific installation way:
 - Select the installation position correctly according to the following detection diagram;

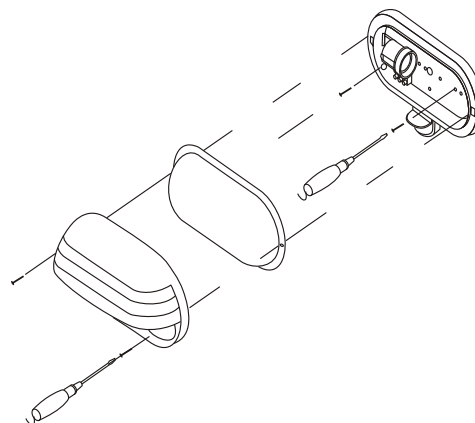


Correct moving orientation



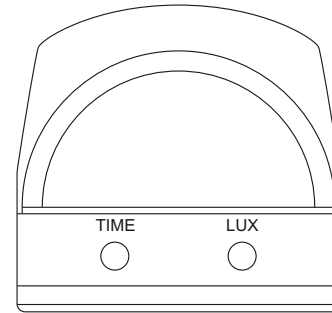
Incorrect moving orientation

- Loosen the fixing screw of lampshade, take off protection net (protection shade) and lampshade;
- According to connection-wire figure and mark, connect power;
- Install detection lamp on the selected position according to the installation figure;
- Cover lampshade and protection net; tighten the screw and then electrify it.



Test:

- After installing, turn the time knob anticlockwise to minimum before electrifying, turn light-control knob to daytime anticlockwise;
- The load should work after the first electrifying for 5S, then it stops, make it induct again within 30s, the load should work again.
- If all are regular, adjust the time knob to set the light time according to your desire; you can set the working ambient light by adjusting the light control knob.
- Attention: during the using course, it can induct continually if the load doesn't stop working after the last induction, otherwise it will make the next induction after 5s interval.



Note:

1. Electrician and experienced human can install it,
2. The unrest objects can't be regarded as the installation basis-face.
3. There is no hinder or unrest objects effecting detection in front of the detection window
4. Avoid installing it near temperature alteration zone, for example, air condition, central heater etc,
5. Please do not open the case for your safety if you find the hitch after installation, you should contact the provider in time.
6. If there are some difference between instruction and the function the product has, please give priority to product and sorry not to inform you additionally.

Some Problem And Solved Way

The load can not work

1. Check if the connection of power and load is correct;
2. if the lamp is good;
3. If the set work light correspond to ambient luminance.

The sensitivity is poor

1. Please check if there is any hinder in front of the detection window that effect to receiving the signals
2. Please check the ambient temperature
3. Please check if the signal source is in the detection field
4. Please check the installation height
5. If the moving orientation is right

The sensor can not shut off the load automatically

1. If there is continual induction signal in the detection field
2. If the delay-time is set to the largest
3. If the power correspond to the instruction required
4. If the temperature change near the sensor (air conditioner, central heater etc).