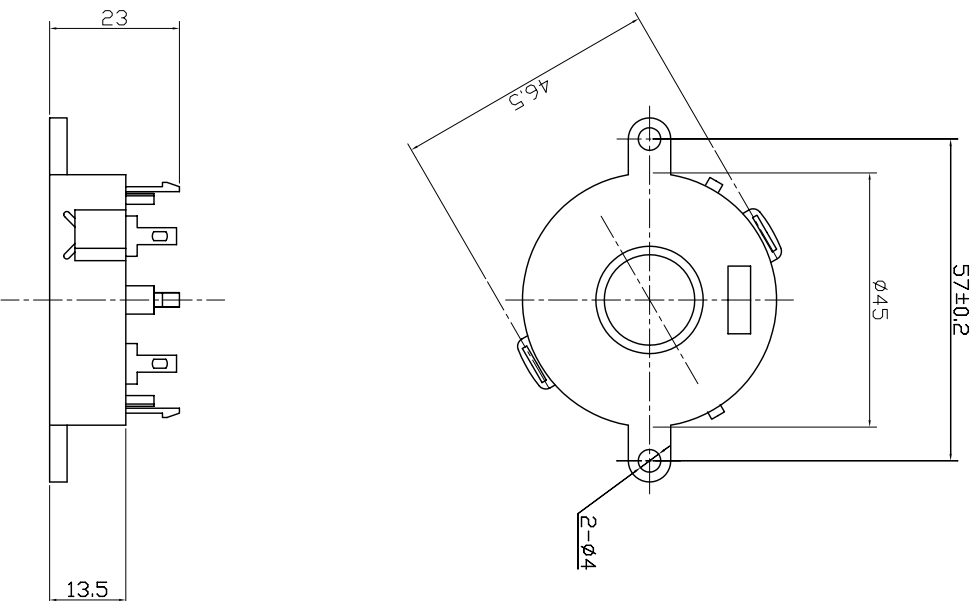


# SPECIFICATION

- 1. Rated Voltage ..... 12V-p-p Square Wave
- 2. Max. Rated Input Voltage ..... 30V-p-p Square Wave
- 3. Min. Sound Pressure Level ..... 100±3dB at 12V-p-p Square Wave/3.3KHz/30cm
- 4. Rated Frequency Range ..... 3.3±0.5KHz
- 5. Max. Capacitance at 100Hz ..... 273nF
- 6. Shell Material/Color ..... PA66/Black
- 7. Operating Temperature ..... -40~+105°C 95%/RH
- 8. Store Temperature ..... -40~+105°C
- 9. Weight ..... 9g



				<b>DSW</b>			
				NINGBO DSW ELECTRONIC CO. LTD			
				<a href="http://www.dswbrand.com">http://www.dswbrand.com</a>			
No.	DESCRIPTION	APPROVED	DATE	Tweeter <b>PCT-4540</b>  UNIT: mm DWG. NO: E3.840.018 SCALE: NOT TO SCALE SHEET: VER: 1.0			
TOLERANCES, UNLESS NOTED OTHERWISE		APPROVALS					
DRAWN		DATE					
CHECKED		DATE					
FIRST ANGLE PROJECTION		APPROVED		04.09.18			

