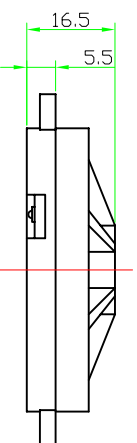
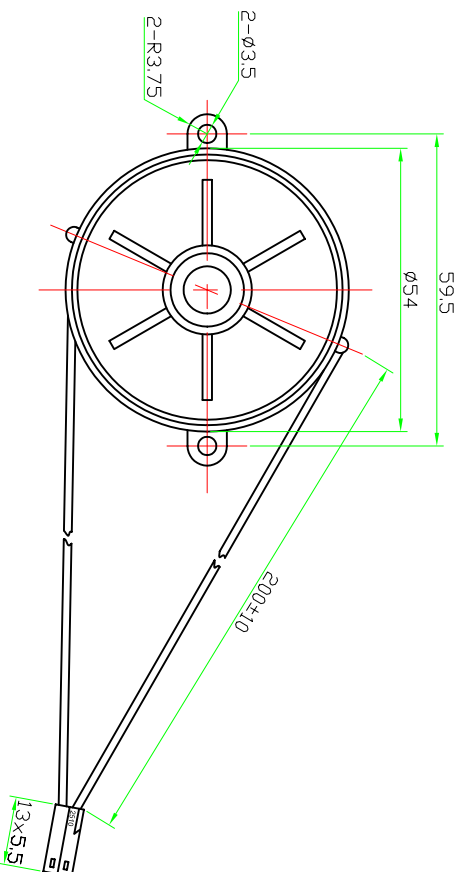


SPECIFICATION

- 1. Rated Voltage 2.83 Sine Wave RMS
- 2. Max. Rated Input Voltage 110V-p-p Square Wave
- 3. Min. Sound Pressure Level 93dB at 2.83V Sine Wave RMS/2~2.5KHz/50cm
- 4. Rated Frequency Range 2000~4000Hz
- 5. Max. Capacitance at 100Hz 30nF
- 6. Shell Material/Color ABS/Black
- 7. Operating Temperature -40~+105°C 95%/RH
- 8. Store Temperature -40~+105°C
- 9. Weight 9g



DSW	NINGBO DSW AUDIO & SECURITY EQUIPMENT					
	http://www.dswbrand.com					
Piezo Tweeter						
EPT-54						
DRAWN	APPROVALS	DATE	UNIT	DWG. NO.		
CHECKED	APPROVED	DATE	mm	E8.840.001G	SHEET	VER. 1.0
FIRST ANGLE PROJECTION	APPROVED	03.12.16	SCALE	NOT TO SCALE		