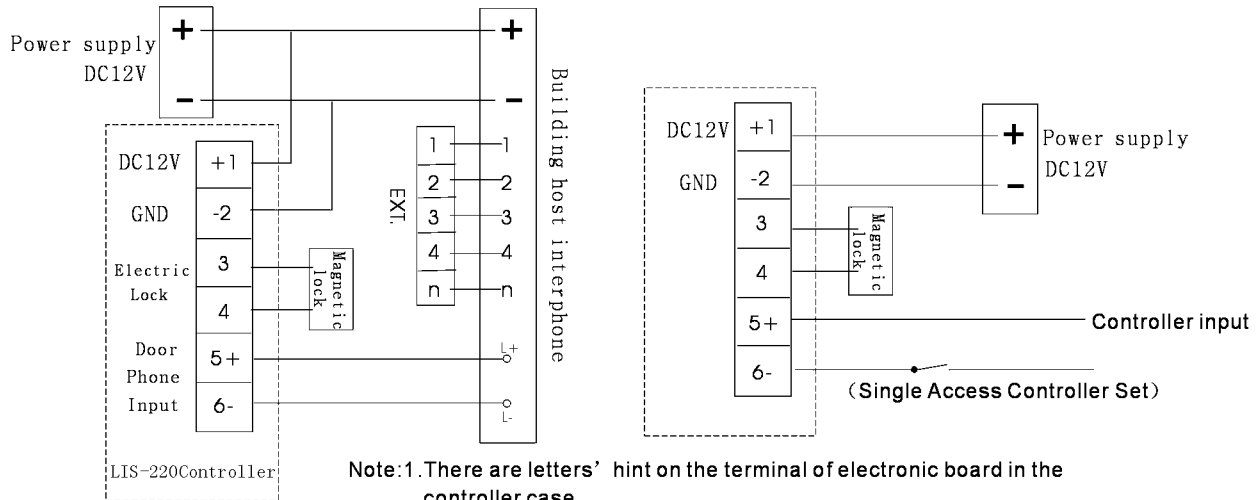


The System Diagram of Connection



Note:1. There are letters' hint on the terminal of electronic board in the controller case.

2. If the voltage is lower than 6V, it can't tough off the opening signal the door will be in the locking state.