

Electric Door Strike

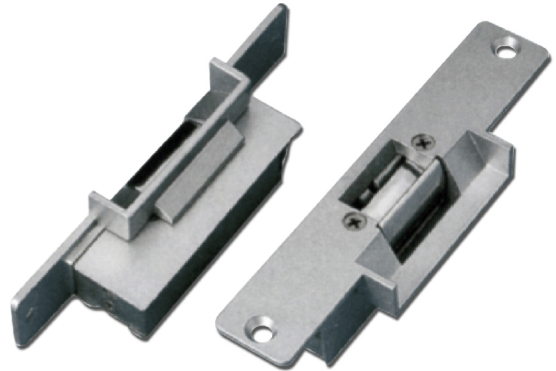
TWO MODELS TO CHOOSE FROM:

DSW-04A Fail-Secure (Door unlocked with power connected)

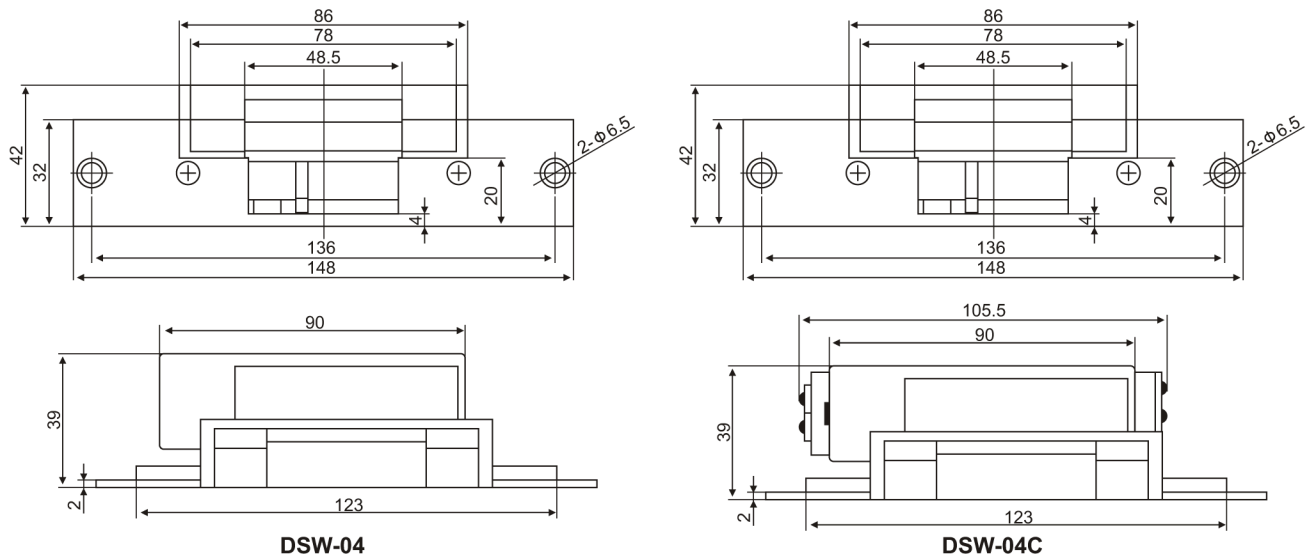
DSW-04B Fail-Safe (Door locked with power connected)

• FEATURES:

- * The DSW Electric Door Strikes convert cylindrical lock sets to an electronic access controlled locking system.
- * Can be used on virtually any cylindrical door locking system.
- * Use of a digital keypad with the unit assures high security without the need of a key.
- * Easily connects to Electronic Keypad.
- * Suitable for office-type applications.
- * CE approved.
- * Baked painted finishing.
- * Fail-Secure (DSW-04A) units are perfect for entrance door installations.
- * Fail-Safe (DSW-04B) units are perfect for emergency door and escape door installations.



• DIMENSIONS:



Specifications	DSW-04A	DSW-04B	DSW-04C
Type	Fail-Secure (No Information Feedback)	Fail-Safe (No Information Feedback)	Fail-Secure (Information Feedback)
Circuit Type	—	—	—
Input Voltage	12 VDC	12 VDC	12 VDC
Current	0.16 to 0.17A	0.16 to 0.17A	0.16 to 0.17A
Coil Resistance	64 ohm	73.5 ohm	64 ohm
Polarity	—	—	—
Weight	0.35kg	0.35kg	0.37kg

* The information contained herein is believed to be correct, but no guarantee for accuracy, completeness. DSW Electronics Ltd. reserves the right to make changes without notification.