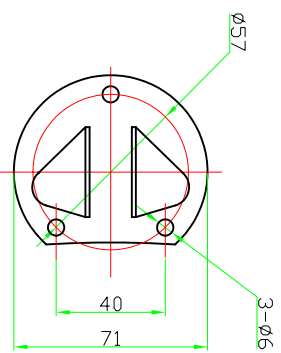
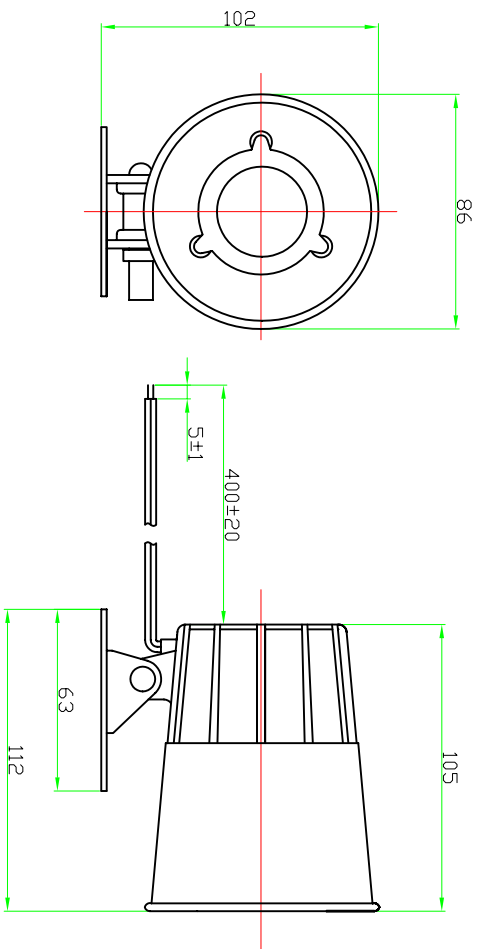


# Specification

(Test Condition, 25°C)



1. Housing Material/ Color ..... ABS / Black
2. Voice Coil Impedance ..... 6 Ohm (at 1 KHz)
3. Voice Coil Dimension ..... Ø25.4 mm(Dia.)
4. Magnet Size ..... Ø60\*32\*10 mm(Dia.\*dim.\*H)
5. Power Rating RMS ..... 15 W
6. Power Rating Peak ..... 20 W
7. Rated Voltage ..... 12 VDC
8. Range Voltage ..... 6-15 VDC
9. S.P.L. .... min. 115 dB(at 1 meter, 12VDC)
10. Tone Nature ..... Siren
11. Current Draw ..... 1300 mA Max. (at 12 VDC)
12. Load Test ..... 8 Hours (at 12 VDC)
13. Heat Test ..... 8 Hours (at 60°C)
14. Operating Temperature range ..... -20~+60°C
15. Wires Connection ..... Red +12V  
Black GND
16. Weight ..... 365 ±10 g

No.		DESCRIPTION	APPROVED	DATE	UNIT	
DRAWN		APPROVALS	CHECKED	DATE	SCALE	DWG.NO.
FIRST ANGLE PROJECTION		APPROVED		04.01.17	NOT TO SCALE	E1.840.017
<b>DSW</b> NINGBO DSW AUDIO & SECURITY EQUIPMENT <a href="http://www.dswbrand.com">http://www.dswbrand.com</a>				Electron Siren <b>ES-86T1(20W)</b>		
COOPERATIONNESS X XX XXX 90° FORMED ±2° ANGLES				SHEET		
				VER 1.0		