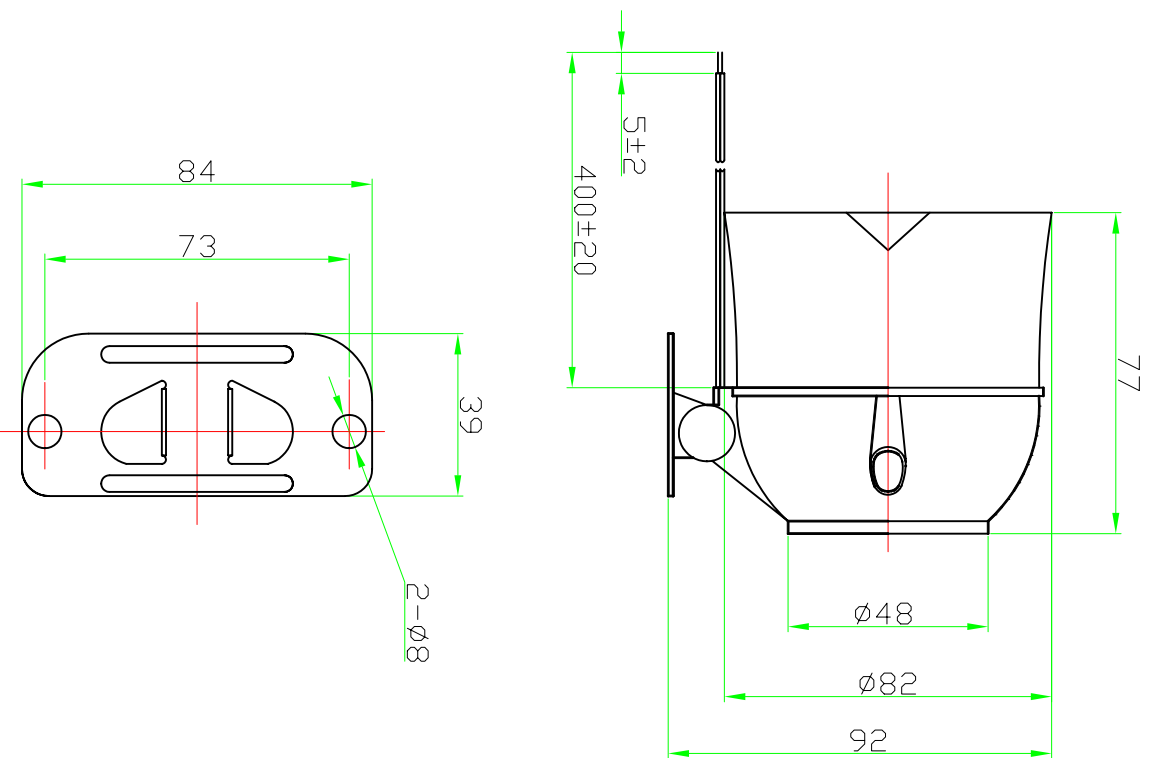


# Specification

(Test Condition, 25°C)

1. Housing Material/ Color ..... ABS / Black
2. Voice Coil Impedance ..... 8 Ohm (at 1 KHz)
3. Voice Coil Dimension .....  $\varnothing$ 25.4 mm(Dia.)
4. Magnet Size .....  $\varnothing$ 60\*32\*10 mm(Dia.\* dia.\*H)
5. Power Rating RMS ..... 10 W
6. Power Rating Peak ..... 15 W
7. Rated Voltage ..... 12 VDC
8. Range Voltage ..... 6--14 VDC
9. S.P.L. .... 107 $\pm$ 2 dB(at 1 meter, 12VDC)
10. Tone Nature ..... Siren
11. Current Draw ..... 650 mA Max. ( at 12 VDC)
12. Load Test ..... 8 Hours (at 12 VDC)
13. Heat Test ..... 8 Hours (at 60°C)
14. Operating Temperature range ..... -20 ~ +60°C
15. Wires Connection ..... Red +12V  
Black GND
16. Weight ..... 340 $\pm$ 10 g



No.		DESCRIPTION	APPROVED	DATE	UNIT	
DESIGNER					mm	
DRAWN		APPROVALS			SCALE	
CHECKED					NOT TO SCALE	
APPROVED				04.01.17	SHEET	
FIRST ANGLE PROJECTION					VER 1.0	
<b>DSW</b> NINGBO DSW AUDIO & SECURITY EQUIPMENT <a href="http://www.dswbrand.com">http://www.dswbrand.com</a>					Electron Siren ES-82T1(15W)	
					E1.840.016	