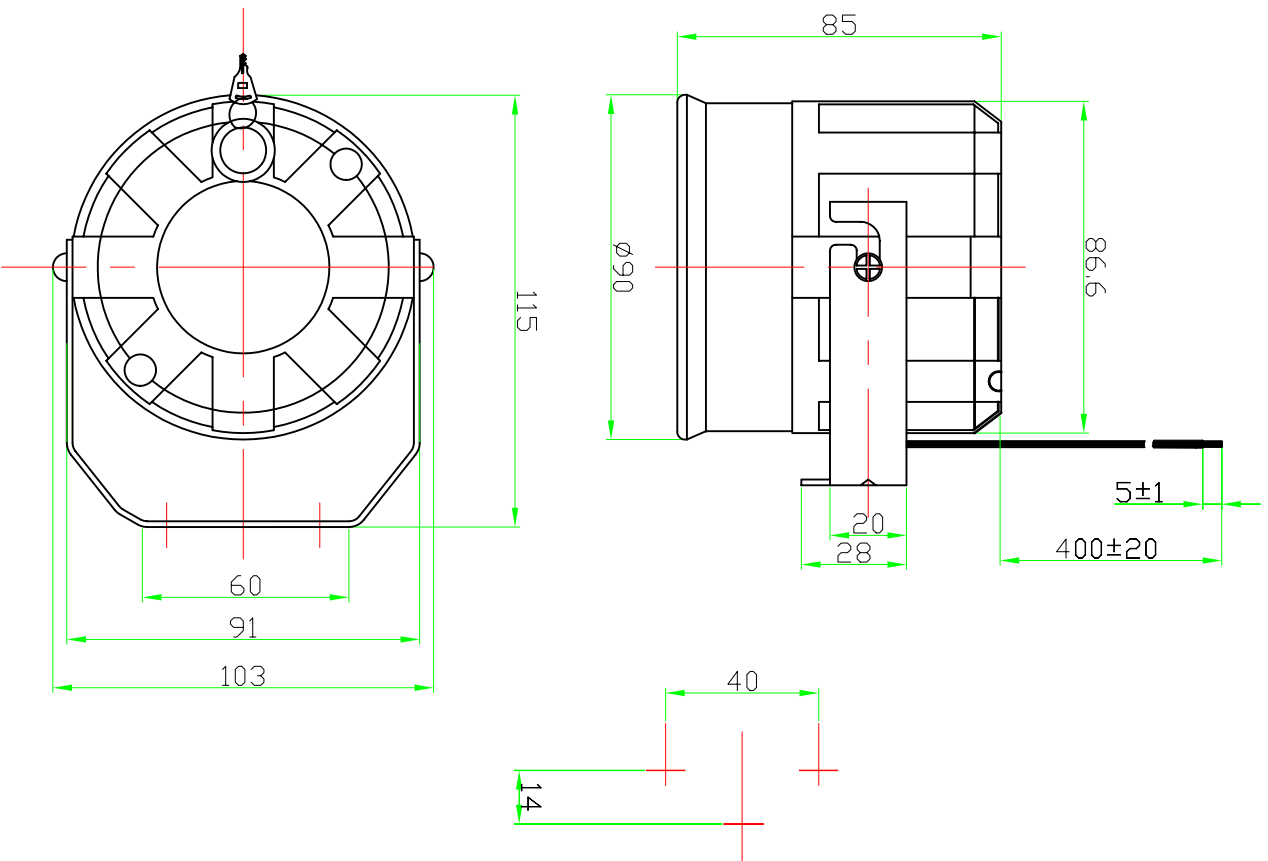


Specification

(Test Condition, 25°C)



- 1. Housing Material/ Color ABS / Black
- 2. Voice Coil Impedance 6 Ohm (at 1 KHZ)
- 3. Voice Coil Dimension $\phi 25.4$ mm(Dia.)
- 4. Magnet Size $\phi 60 * 32 * 10$ mm(Dia.* dia.*H)
- 5. Power Rating RMS 10 W
- 6. Power Rating Peak 15 W
- 7. Rated Voltage 12 VDC
- 8. Range Voltage 6-14 VDC
- 9. S.P.L. 108 \pm 3 dB(at 1 meter, 12VDC)
- 10. Tone Nature 6 Tone
- 11. Current Draw 750 mA Max.(at 12 VDC)
- 12. Load Test 8 Hours (at 12 VDC)
- 13. Heat Test 8 Hours (at 60°C)
- 14. Operating Temperature range -20 ~ +60°C
- 15. Wires Connection Red +12V
Black GND
- 16. Weight 360 \pm 10 g

No.		DESCRIPTION	APPROVED	DATE	DSW NINGBO DSW AUDIO & SECURITY EQUIPMENT http://www.dswbrand.com	
DESIGNER		DATE	APPROVED	DATE	Electron Siren	
DRAWN		DATE	APPROVED	DATE	ES-91U6(20W)	
CHECKED		DATE	APPROVED	DATE	UNIT	
FIRST ANGLE PROJECTION		DATE	APPROVED	DATE	SCALE	
90° FORMED ±2°		DATE	APPROVED	DATE	NOT TO SCALE	
DRAWN		DATE	APPROVED	DATE	DWG NO.	
CHECKED		DATE	APPROVED	DATE	E1.840.018	
FIRST ANGLE PROJECTION		DATE	APPROVED	DATE	SHEET	
90° FORMED ±2°		DATE	APPROVED	DATE	VER 1.0	