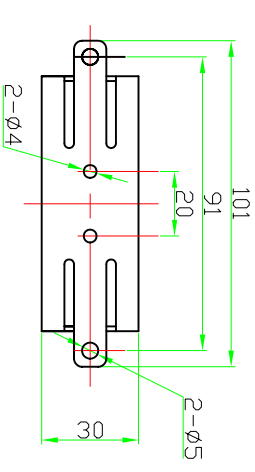
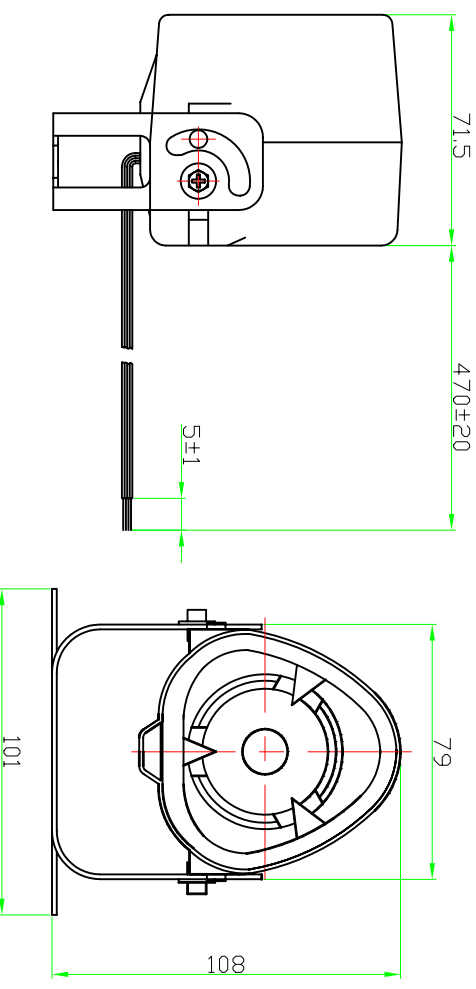


# Specification

(Test Condition, 25°C)



1. Housing Material/ Color ..... ABS / Black
2. Voice Coil Impedance ..... 6 Ohm (at 1 KHz)
3. Voice Coil Dimension ..... Ø 25.4 mm(Dia.)
4. Magnet Size ..... Ø60\*32\*10 mm(Dia.\*dia.\*H)
5. Power Rating RMS ..... 15 W
6. Power Rating Peak ..... 20 W
7. Rated Voltage ..... 12 VDC
8. Range Voltage ..... 6-14 VDC
9. S.P.L. .... 106±2 dB(at 1 meter, 12VDC)
10. Tone Nature ..... Siren
11. Current Draw ..... 1300 mA Max. (at 12 VDC)
12. Load Test ..... 8 Hours (at 12 VDC)
13. Heat Test ..... 8 Hours (at 60°C)
14. Operating Temperature range ..... -20 ~ +60°C
15. Wires Connection ..... Red +12V  
Black GND
16. Weight ..... 410±10 g

No.		DESCRIPTION	APPROVED	DATE	<b>DSW</b> NINGBO DSW AUDIO & SECURITY EQUIPMENT <a href="http://www.dswbrand.com">http://www.dswbrand.com</a>	
DATE		DATE	DATE	DATE	Electron Siren	
DRAWN		APPROVALS	DATE	DATE	ES-79U2(20W)	
CHECKED		APPROVED	DATE	DATE	UNIT mm DWG NO. E1.840.012	
FIRST ANGLE PROJECTION		APPROVED	DATE	DATE	SCALE NOT TO SCALE SHEET VER 1.0	
04.01.17		APPROVED	DATE	DATE		