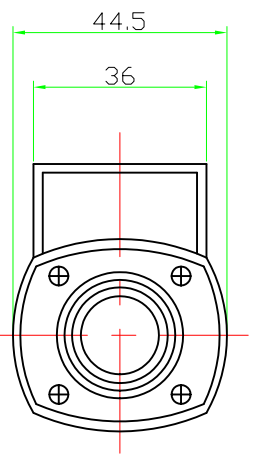
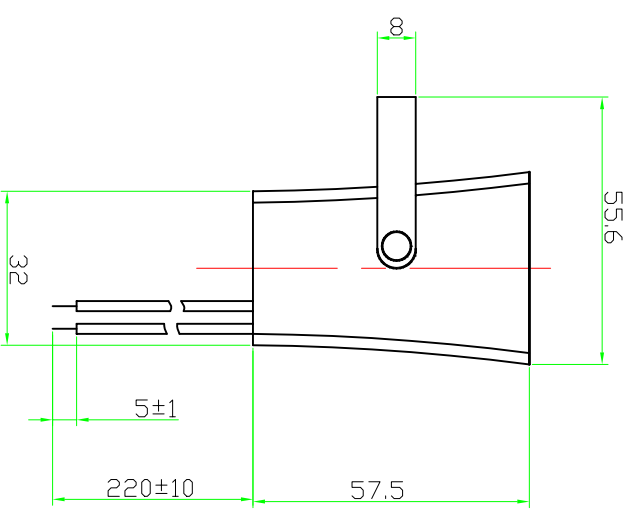


# Specification

(Test Condition, 25°C)

- 1. Housing Material/ Color..... ABS /Black
- 2. Power Rating RMS ..... 10 W
- 3. Power Rating Peak ..... 15 W
- 4. Rated Voltage ..... 12 VDC
- 5. Range Voltage ..... 6--16 VDC
- 6. S.P.L. .... min. 100 dB(at 1 meter, 12VDC)
- 7. Current Draw ..... 200 mA Max. (at 12 VDC)
- 8. Load Test ..... 8 Hours (at 12 VDC)
- 9. Heat Test ..... 8 Hours (at 85°C)
- 10. Operating Temperature range ..... -20 ~ +85°C
- 11. Wires Connection ..... Red +12V  
..... Black GND
- 12. Weight ..... 65±5 g



No.		DESCRIPTION		APPROVED	DATE	<b>DSW</b> NINGBO DSW AUDIO & SECURITY EQUIPMENT <a href="http://www.dswbrnd.com">http://www.dswbrnd.com</a>
No.		DESCRIPTION		APPROVED	DATE	
No.		DESCRIPTION		APPROVED	DATE	Piezo Alarm <b>EPA-45</b>
No.		DESCRIPTION		APPROVED	DATE	
No.		DESCRIPTION		APPROVED	DATE	UNIT mm
No.		DESCRIPTION		APPROVED	DATE	
No.		DESCRIPTION		APPROVED	DATE	DWG NO <b>E7.840.001</b>
No.		DESCRIPTION		APPROVED	DATE	
No.		DESCRIPTION		APPROVED	DATE	SCALE NOT TO SCALE
No.		DESCRIPTION		APPROVED	DATE	
No.		DESCRIPTION		APPROVED	DATE	SHEET <b>1.0</b>
No.		DESCRIPTION		APPROVED	DATE	
No.		DESCRIPTION		APPROVED	DATE	VER <b>1.0</b>
No.		DESCRIPTION		APPROVED	DATE	