

# Specification

(Test Condition, 25°C)

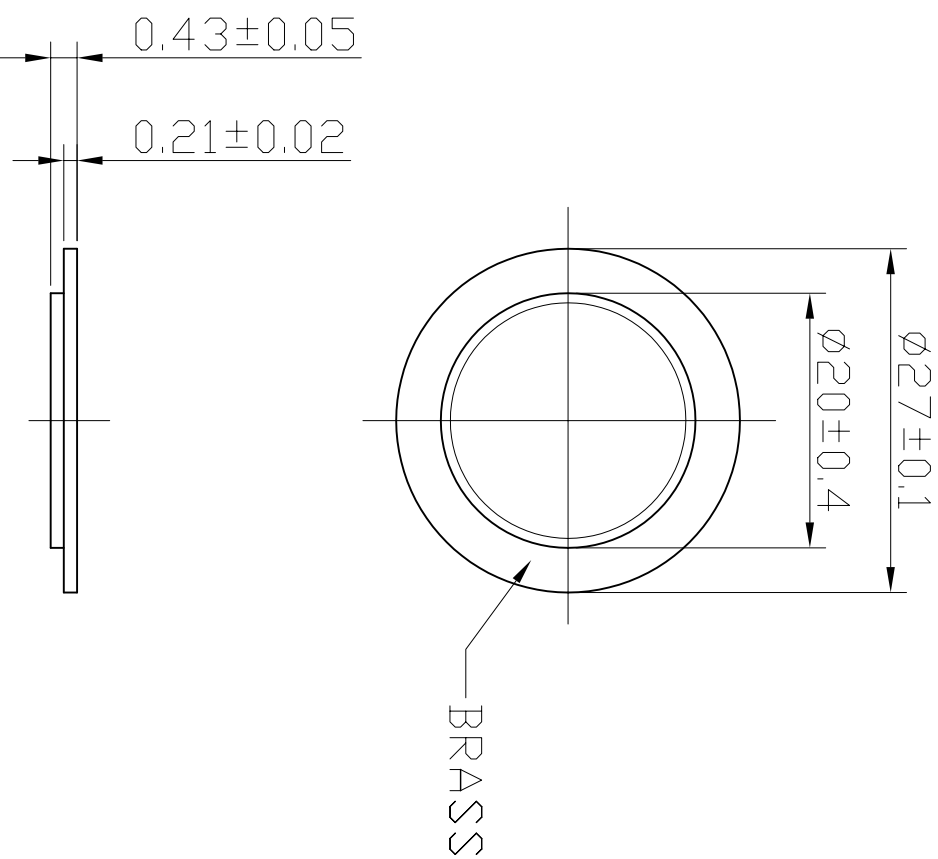
## 1.SCOPE

This specification is applied to the piezoelectric diaphragm.

**2.MODEL NO. :** MFT-27T-4.0A1

## 3.SPECIFICATION (at 25 °C)

- 3.1 Resonant Frequency : 4.0±0.5KHz
- 3.2 Resonant Resistance : 300 Ω max
- 3.3 Capacitance : 25000 pF±30% at 100HZ
- 3.4 Input Voltage : 30 Vp-p max
- 3.5 Operating Temperature : -20 to +50°C
- 3.6 Storage Temperature : -20 to +70°C
- 3.7 Dimension : as per Figure 1.



No.		DESCRIPTION		DATE	UNIT	
DESIGNED BY		APPROVED		DATE	SCALE	
CHECKED BY		APPROVALS		DATE	NOT TO SCALE	
DRAWN		CHECKED		DATE	SHEET	
FIRST ANGLE PROJECTION		APPROVED		DATE	VER	
		04.04.09		04.04.09	1.0	
<b>DSW</b> NINGBO DSW AUDIO & SECURITY EQUIPMENT <a href="http://www.dswbrand.com">http://www.dswbrand.com</a> fax:+86(574)87264906				Piezoelectric Diaphragm <b>MFT-27T-4.0A1</b> UNIT mm DWG NO. E4.845.001		