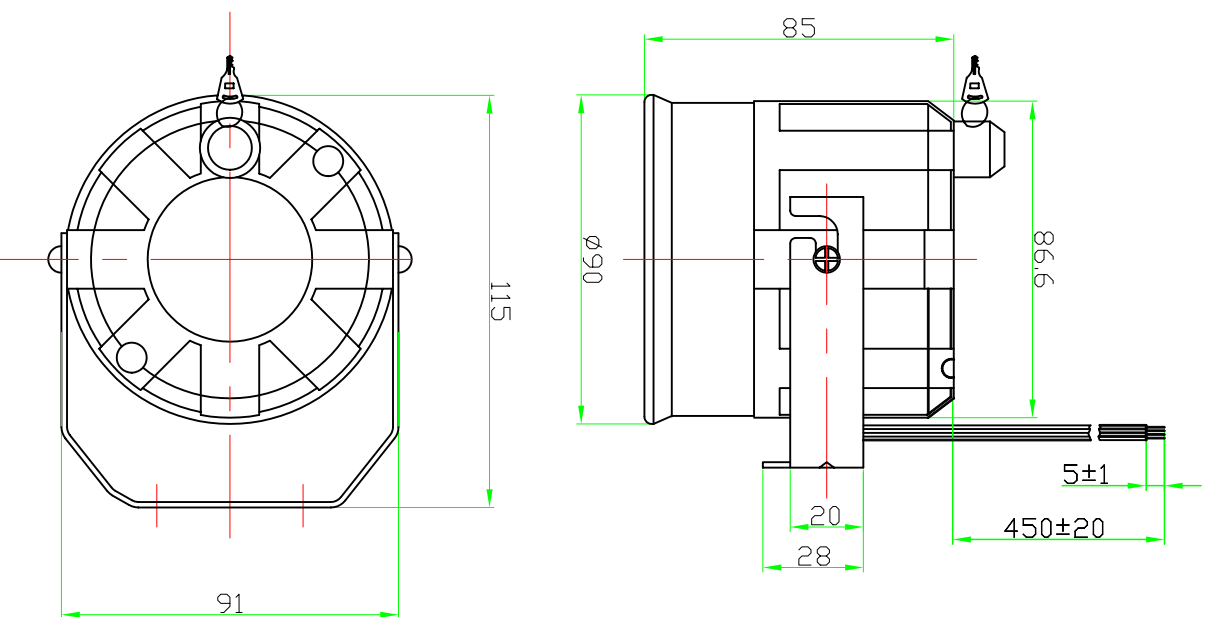



Specification

(Test Condition, 25°C)

1. Housing Material/ Color ABS / Black
2. Voice Coil Impedance 6 Ohm (at 1 KHz)
3. Voice Coil Dimension $\varnothing 25.4$ mm(Dia.)
4. Magnet Size $\varnothing 60 \times 32 \times 10$ mm(Dia.* dia.*H)
5. Power Rating RMS 15 W
6. Power Rating Peak 20 W
7. Rated Voltage 12 VDC
8. Range Voltage 6-14 VDC
9. S.P.L. min. 108 dB(at 1 meter, 12VDC)
10. Tone Nature Siren
11. Current Draw 1300 mA Max. (at 12 VDC)
12. Load Test 8 Hours (at 12 VDC)
13. Heat Test 8 Hours (at 60°C)
14. Operating Temperature range -20 ~ +60°C
15. Wires Connection Red +12V
 Blue Negative Trigger (-)
 White Positive Trigger (+)
 Black GND
16. Weight 360 \pm 10 g



 DSW NINGBO DSW AUDIO & SECURITY EQUIPMENT http://www.dswbrand.com		UNIT SCALE	
Electron Siren ES-90BU1(20W)		NOT TO SCALE	
No. DESCRIPTION APPROVED DATE DATE DATE CHECKED APPROVED DRAWN APPROVED XX + XXX + 90° FORMED ±2° FIRST ANGLE PROJECTION		DWG. NO. E1.840.028	
SHEET		VER 1.0	