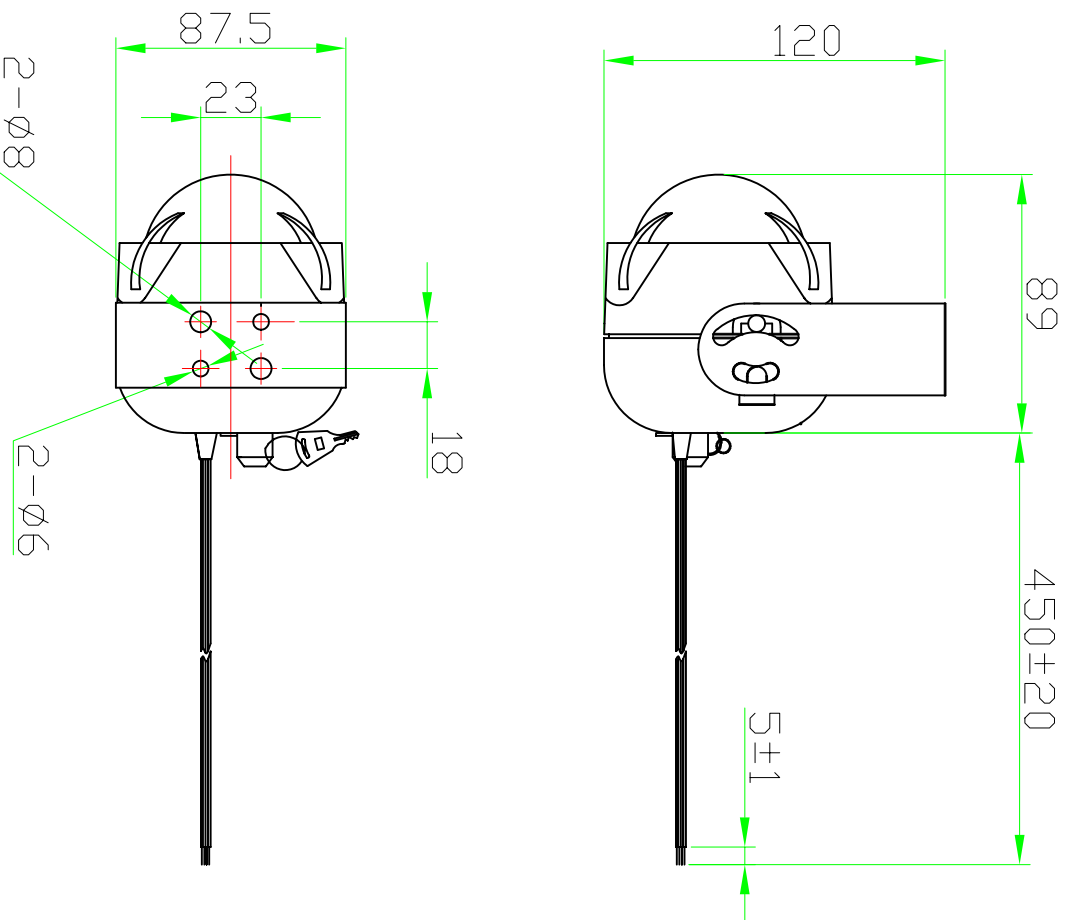


Specification

(Test Condition, 25°C)

1. Housing Material/ Color ABS / Black
2. Voice Coil Impedance 6 Ohm (at 1 KHz)
3. Voice Coil Dimension $\varnothing 25.4$ mm(Dia.)
4. Magnet Size $\varnothing 60 \times 32 \times 10$ mm(Dia.* dia.* H)
5. Power Rating RMS 15 W
6. Power Rating Peak 20 W
7. Rated Voltage 12 VDC
8. Range Voltage 6--15 VDC
9. S.P.L. min. 110 dB(at 1 meter, 12VDC)
10. Tone Nature Siren
11. Current Draw 1300 mA Max. (at 12 VDC)
12. Load Test 8 Hours (at 12 VDC)
13. Heat Test 8 Hours (at 85°C)
14. Operating Temperature range -20 ~ +85°C
15. Wires Connection Red +12V
 Blue Negative Trigger (-)
 White Positive Trigger (+)
 Black GND
16. Weight 360 \pm 10g



No.		DESCRIPTION	APPROVED	DATE	DSW NINGBO DSW AUDIO & SECURITY EQUIPMENT http://www.dswbrand.com	
DESIGN/REVISIONS					Electron Siren	
DRAWN		APPROVALS			ES-88BU1(20W)	
CHECKED					UNIT	DWG.NO
FIRST ANGLE PROJECTION		APPROVED		04.02.10	mm	E1.840.027
					SCALE	SHEET
					NOT TO SCALE	VER 1.0