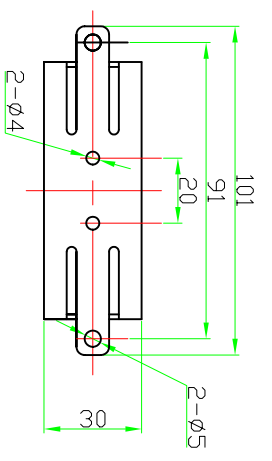
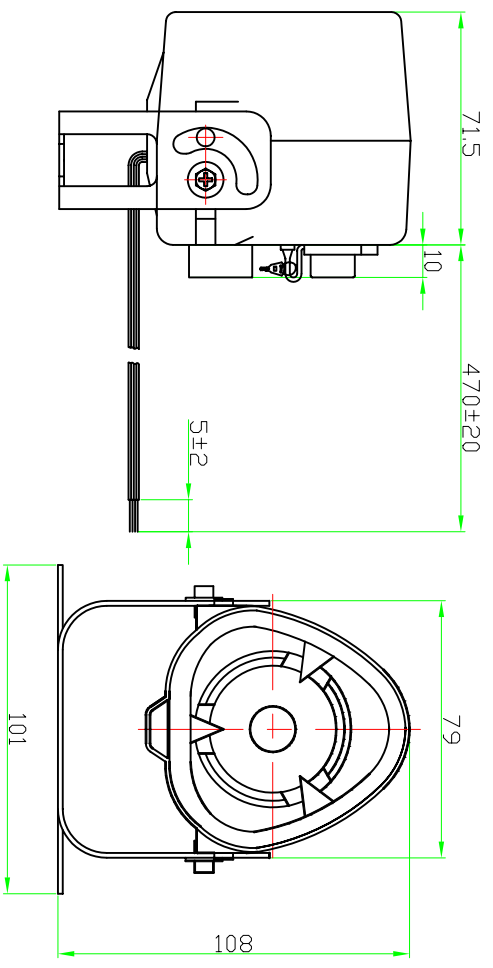


Specification

(Test Condition, 25°C)



1. Housing Material/ Color ABS / Black
2. Voice Coil Impedance 6 Ohm (at 1 KHz)
3. Voice Coil Dimension Ø 25.4 mm(Dia.)
4. Magnet Size Ø60*32*10 mm(Dia.*dia.*H)
5. Power Rating RMS 10 W
6. Power Rating Peak 15 W
7. Rated Voltage 12 VDC
8. Range Voltage 6--14 VDC
9. S.P.L. min. 110 dB(at 1 meter, 12VDC)
10. Tone Nature 6 Tone
11. Current Draw 1300 mA Max. (at 12 VDC)
12. Load Test 8 Hours (at 12 VDC)
13. Heat Test 8 Hours (at 85°C)
14. Operating Temperature range -20 ~ +85°C
15. Wires Connection Red +12V
 Blue Negative Trigger (-)
 White Positive Trigger (+)
 Black GND
16. Weight 445 ±10 g

DSW NINGBO DSW AUDIO & SECURITY EQUIPMENT http://www.dswbrand.com			
Electron Siren			
ES-79BU6(20W)			
No.	DESCRIPTION	APPROVED	DATE
<small>DATE OF FIRST PRODUCTION</small> <small>DATE OF REVISION</small> <small>XX +</small> <small>90° TORNED ±°</small> <small>ANGLES ±°</small>		<small>DRAWN</small> <small>CHECKED</small> <small>APPROVED</small>	
UNIT	SCALE	DWG. NO.	SHEET
mm	NOT TO SCALE	E1.840.024	VER 1.0