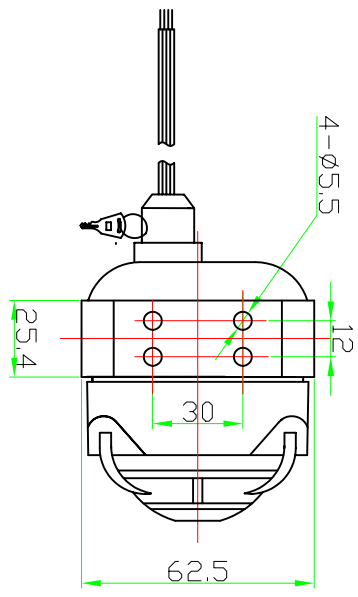
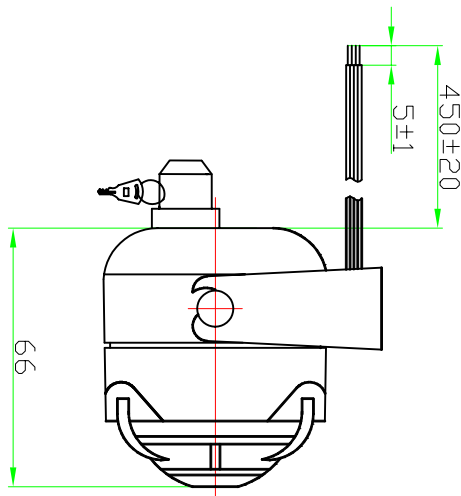
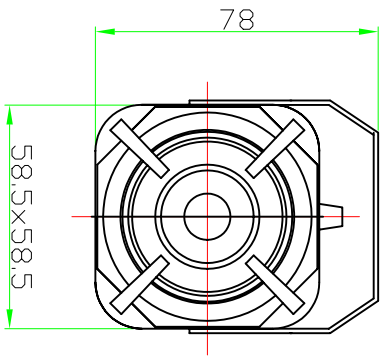


# Specification

(Test Condition, 25°C)



1. Housing Material/ Color..... ABS / Black
2. Voice Coil Impedance ..... 12 Ohm (at 1 KHz)
3. Voice Coil Dimension ..... Ø 25.4 mm(Dia.)
4. Magnet Size ..... Ø24.5\*3.5 mm(Dia.\* dia.\*H)
5. Power Rating RMS ..... 10 W
6. Power Rating Peak ..... 15 W
7. Rated Voltage ..... 12 VDC
8. Range Voltage ..... 6 --14 VDC
9. S.P.L. .... min. 105 dB(at 1 meter, 12VDC)
10. Tone Nature ..... 6 Tones
11. Current Draw ..... 700 mA Max.( at 12 VDC)
12. Load Test ..... 8 Hours (at 12 VDC)
13. Heat Test ..... 8 Hours (at 60°C)
14. Operating Temperature range ..... -20 ~ +60°C
15. Wires Connection ..... Red +12V  
 ..... Blue Negative Trigger (-)  
 ..... White Positive Trigger (+)  
 ..... Black GND
16. Weight ..... 210±10 g

No.		DESCRIPTION	APPROVED	DATE	<b>DSW</b> NINGBO DSW AUDIO & SECURITY EQUIPMENT <a href="http://www.dswbrand.com">http://www.dswbrand.com</a>	
DATE OF FINISH					Electron Siren	
DRAWN		APPROVALS			ES-59BU6(20W)	
CHECKED					UNIT	DWG.NO
FIRST ANGLE PROJECTION		APPROVED		04.02.10	SCALE	E1.840.021
					NOT TO SCALE	SHEET
						VER 1.0