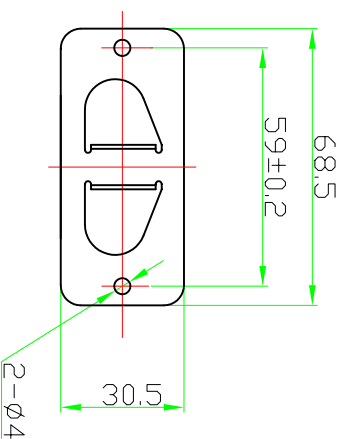
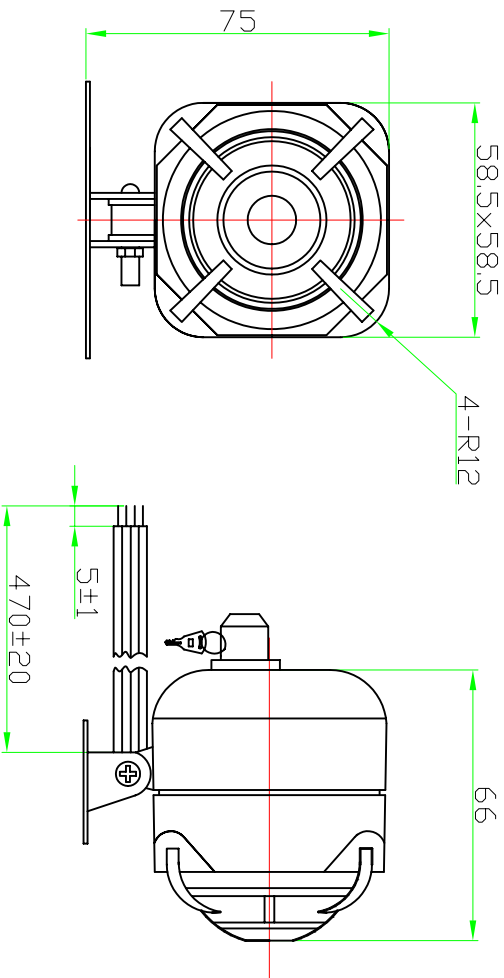


# Specification

(Test Condition, 25°C)



1. Housing Material/ Color ..... ABS / Black
2. Voice Coil Impedance ..... 12 Ohm (at 1 KHz)
3. Voice Coil Dimension .....  $\varnothing 25.4$  mm(Dia.)
4. Magnet Size .....  $\varnothing 24.5 \times 3.5$  mm(Dia.\*H)
5. Power Rating RMS ..... 15 W
6. Power Rating Peak ..... 20 W
7. Rated Voltage ..... 12 VDC
8. Range Voltage ..... 6-15 VDC
9. S.P.L. .... min. 105 dB(at 1 meter, 12VDC)
10. Tone Nature ..... Siren
11. Current Draw ..... 600 mA Max.(at 12 VDC)
12. Load Test ..... 8 Hours (at 12 VDC)
13. Heat Test ..... 8 Hours (at 85°C)
14. Operating Temperature range ..... -20 ~ +85°C
15. Wires Connection ..... Red +12V  
..... Black GND
16. Weight ..... 165 ± 10 g

No.		DESCRIPTION	APPROVED	DATE	UNIT	
DRAWN		APPROVALS	CHECKED	DATE	SCALE	DWG. NO.
FIRST ANGLE PROJECTION		APPROVED		04.02.10	NOT TO SCALE	E1.840.022
<b>DSW</b> NINGBO DSW AUDIO & SECURITY EQUIPMENT <a href="http://www.dswbrand.com">http://www.dswbrand.com</a>				Electron Siren <b>ES-59BT1(20W)</b>		
XXX + 90° FORMED ±2°				SHEET		
				VER 1.0		