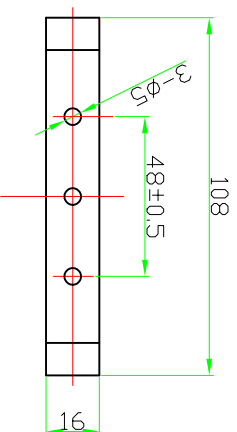
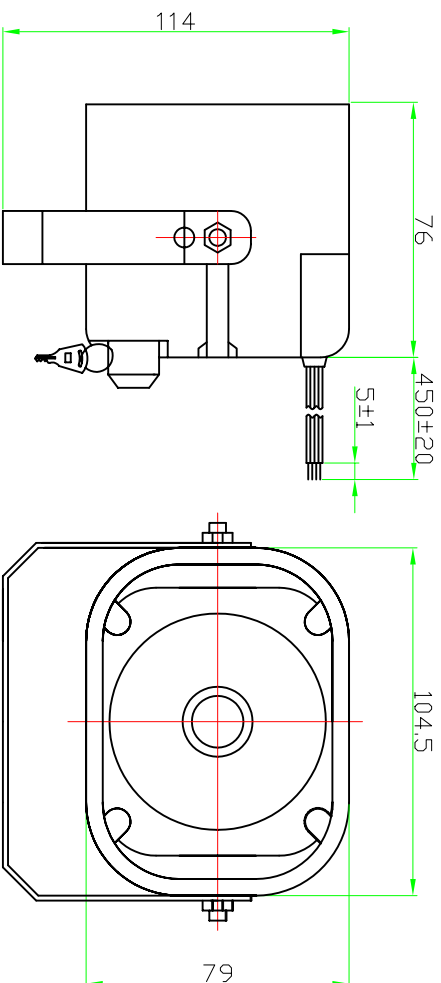


Specification

(Test Condition, 25°C)



1. Housing Material/ Color ABS / Black
2. Voice Coil Impedance 6 Ohm (at 1 KHz)
3. Voice Coil Dimension Ø25.4 mm(Dia.)
4. Magnet Size Ø60*32*10 mm(Dia.*dia.*H)
5. Power Rating RMS 10 W
6. Power Rating Peak 15 W
7. Rated Voltage 12 VDC
8. Range Voltage 6-14 VDC
9. S.P.L. min. 110 dB(at 1 meter, 12VDC)
- 10.Tone Nature Siren
11. Current Draw 1300 mA Max. (at 12 VDC)
12. Load Test 8 Hours (at 12 VDC)
13. Heat Test 8 Hours (at 85°C)
14. Operating Temperature range -20 ~ +85°C
15. Wires Connection Red +12V
 Blue Negative Trigger(-)
 White Positive Trigger(+)
 Black GND
16. Weight 470±10 g

No.		DESCRIPTION	APPROVED	DATE	DSW NINGBO DSW AUDIO & SECURITY EQUIPMENT http://www.dswbrand.com	
DESIGNER					Electron Siren ES-105U1(15W)	
DRAWN		APPROVALS	DATE	UNIT		
CHECKED				mm		
FIRST ANGLE PROJECTION		APPROVED	04.02.10	SCALE		
					NOT TO SCALE	DWG.NO
						E1.840.020
						SHEET
						VER 1.0